



4DLCD-144

Datasheet

Document Date: 20th May 2012
Document Revision: 02

Table of Contents

1. Specifications	3
1.1 General Specifications	3
1.2 Absolute Maximum Ratings	3
1.3 Electrical Characteristics	3
1.4 Backlight Characteristics	3
2. Dimensional Drawing.....	4
3. Interface Pin Connections.....	5
3.1 Timing Characteristics	6
3.1.1 Parallel interface characteristics.....	6
3.2 Reset Input Timing	7
4. Electro-Optical Characteristics.....	8
4.1 Electro-Optical Characteristics Test Method.....	8
4.2 Operating Voltage: V_{OP}	9
4.3 Optical Response Time	9
4.4 Viewing Angle: θ	10
4.5 Contrast Ratio: CR	10
5. Inspection Criteria	11
5.1 Inspection Conditions.....	11
5.1.1 Environmental conditions	11
5.1.2 The external visual inspection	11
5.2 Light Method	11
5.3 Classification of defects.....	12
6. Reliability	13
6.1 Tests	13
7. Precaution for using the LCD Module.....	14
7.1 Handling precautions	14
7.2 Storage Precautions	14
7.3 Others.....	14
8. Using the LCD Module	15
8.1 Liquid Crystal Display Module	15
8.2 Installing the LCD Module	15
8.3 Electrostatic Discharge Control	15
8.4 Precaution for Soldering to the LCM.....	16
8.5 Precautions for operation	16
8.6 Storage	16
8.7 Safety.....	16
8.8 Return the LCM under warranty	17

1. SPECIFICATIONS

1.1 General Specifications

LCD-144 is a color active matrix LCD module incorporating amorphous silicon TFT (Thin Film Transistor). It is composed of a color TFT-LCD panel, driver IC, FPC and a backlight unit. The module display area contains 128X128 pixels and can display up to 65K colors. This product accords with RoHS environmental criterion.

Item	Contents	Unit
LCD Type	TFT TRANSMISSIVE	/
Viewing direction	12:00	O' Clock
Module outline (W x H x D)	33.5x37.5x2.6MAX	mm
Active area (WxH)	25.5x26.5	mm
Number of Dots	128(RGB) x128	/
Driver IC	ST7735R	/
Colors	65K	/
Backlight Type	LED	/
Interface Type	System Parallel interface	/
Input voltage	2.8	V

1.2 Absolute Maximum Ratings

Parameter	Symbol	Min	Max	Unit
Supply voltage for logic	V_{CC1}, V_{CC2}	-0.3	4.6	V
Input voltage	V_{in}	-0.3	VCC+ 0.3	V
Operating temperature	T_{op}	-20	70	°C
Storage temperature	T_{st}	-30	80	°C
Humidity	RH	--	90%(Max60C)	RH

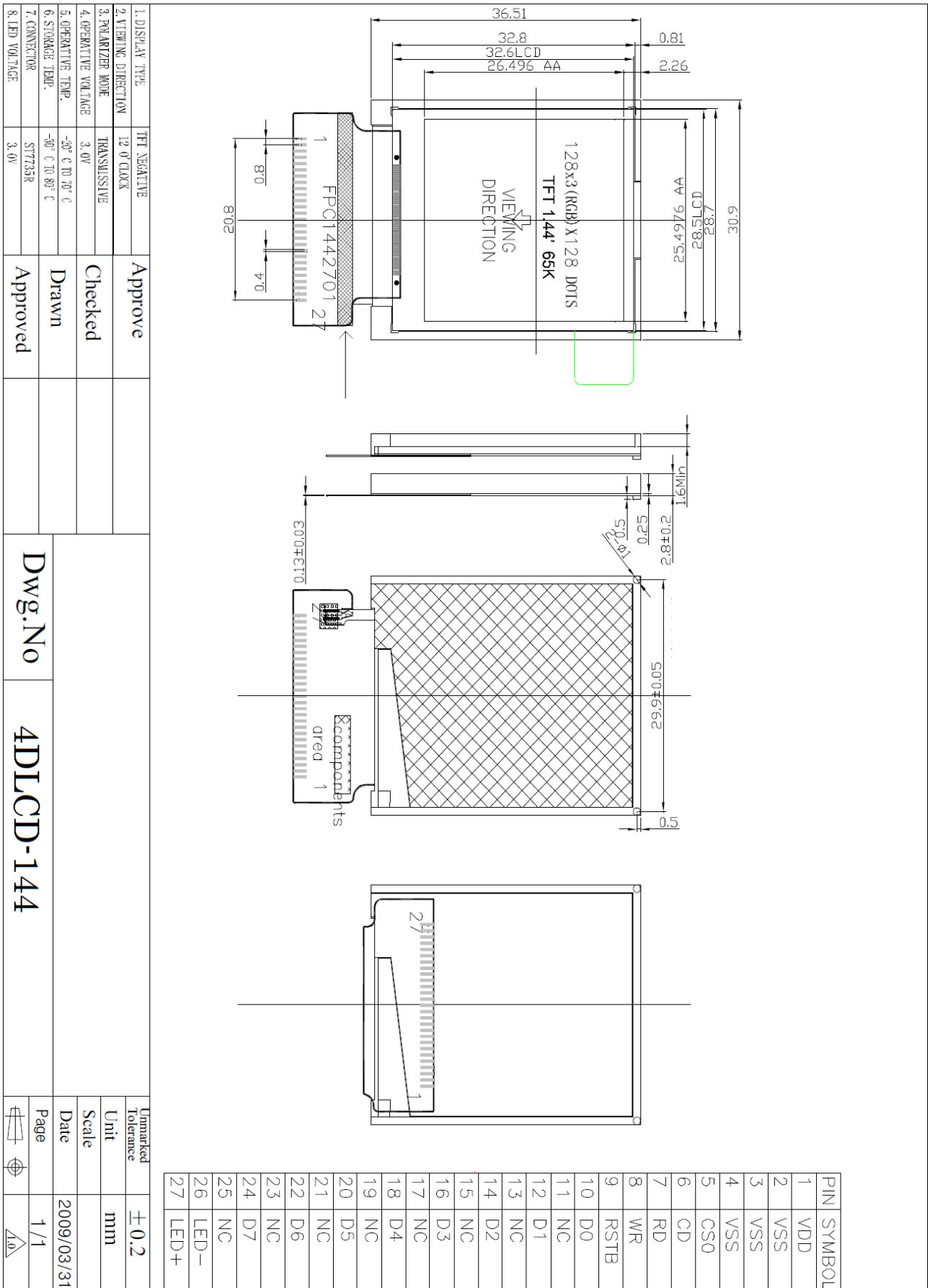
1.3 Electrical Characteristics

Parameter	Symbol	Min	Typ	Max	Unit
Supply voltage for logic	$V_{CC} - V_{SS}$	2.4	2.8	3.3	V
Input Current	I_{dd}	--	10	--	mA
Input voltage ' H ' level	V_{iH}	$0.7V_{CC}$	--	V_{CC}	V
Input voltage ' L ' level	V_{iL}	-Vss	--	$0.2 V_{CC}$	V
Output voltage ' H ' level	V_{oH}	$0.8 V_{CC}$	--	V_{CC}	V
Output voltage ' L ' level	V_{oL}	0	0	$0.2 V_{CC}$	V

1.4 Backlight Characteristics

Item	Symbol	Min	Typ	Max	Unit	Condition
Forward voltage	V_f	--	2.8	3.1	V	--
Luminance	L_v	--	250	--	cd/m2	$I_f = 20mA$
Number of LED	--	1			Piece	--
Connection mode	P	serial			--	--

2. DIMENSIONAL DRAWING



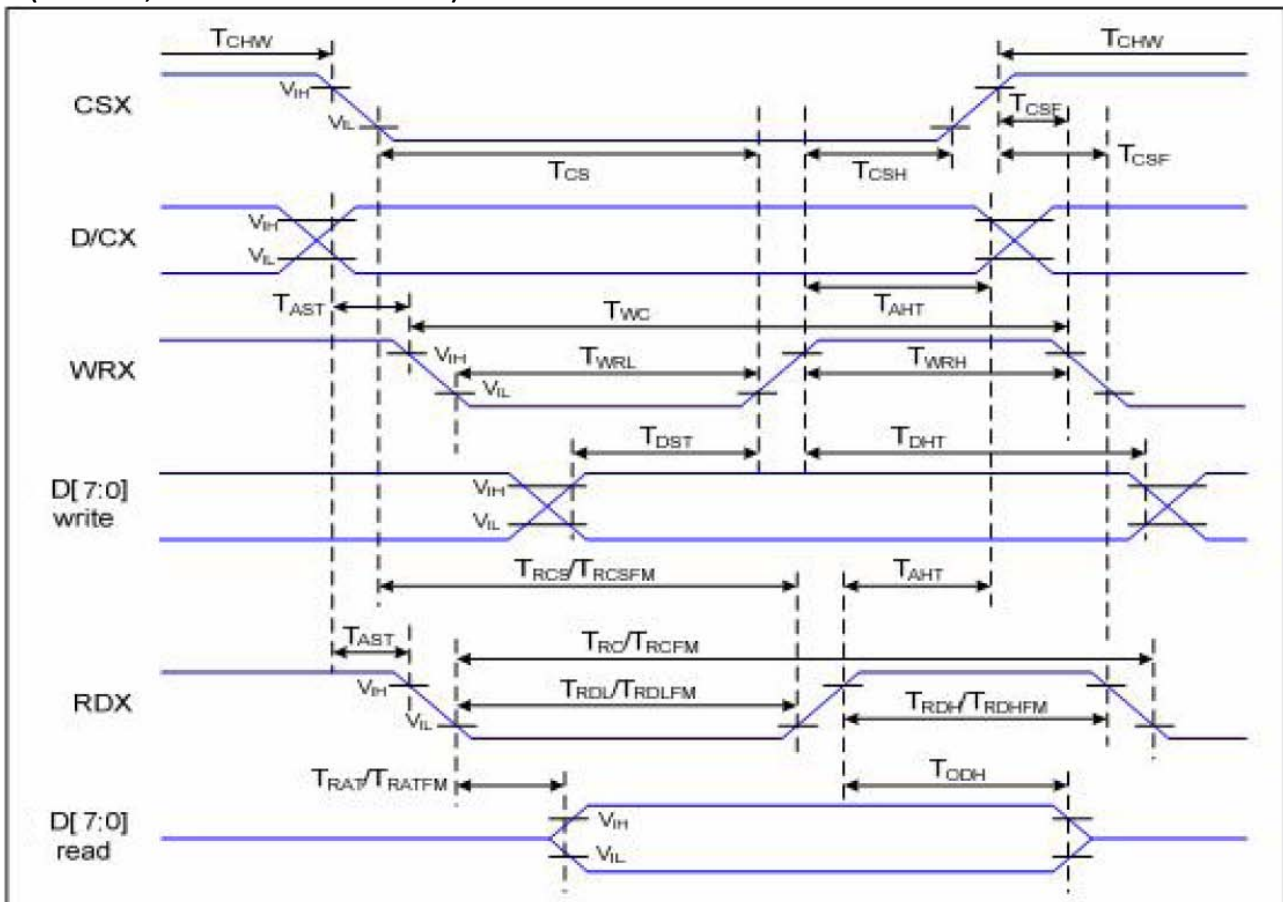
3. INTERFACE PIN CONNECTIONS

Pin No.	Symbol	Function
1	V _{DD}	Power supply
2-4	V _{SS}	Ground
5	/CS	Chip select signal input(low active)
6	RS	Data and control register select input.
7	/RD	Read select signal
8	/WR	Write select signal input
9	/RESET	A reset pin.
10	D0	Data Bit0
11	NC	
12	D1	Data Bit1
13	NC	
14	D2	Data Bit 2
15	NC	
16	D3	Data Bit3
17	NC	
18	D4	Data Bit4
19	NC	
20	D5	Data Bit5
21	NC	
22	D6	Data Bit6
23	NC	
24	D7	Data Bit7
25	NC	
26	LED -	Back light power supply: negative
27	LED +	Back light power supply: positive

3.1 Timing Characteristics

3.1.1 Parallel interface characteristics

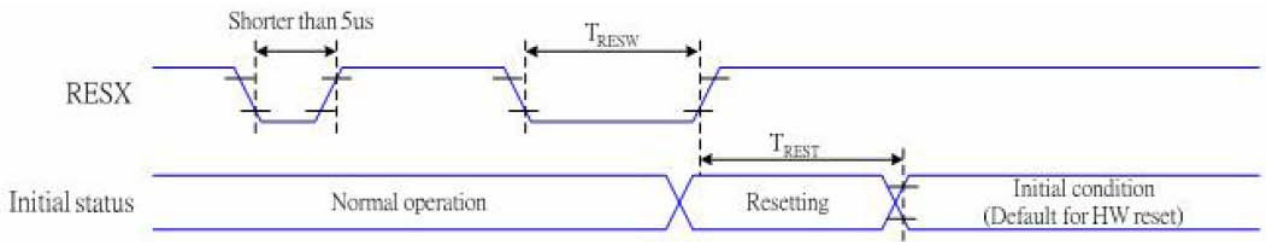
(8-bits bus, 8080-series MCU interface)



Parallel interfacing Timing interfacing Characteristics (8080 Series MCU Interfacing)

Signal	Symbol	Parameter	Min	Max	Unit	Description
D/Cx	T_{AST}	Address setup time	10		ns	-
	T_{HAT}	Address hold time (Write/Read)	10		ns	-
CSX	T_{CHW}	Chip select "H" pulse width	0		ns	-
	T_{CS}	Chip select setup time (write)	15		ns	-
	T_{RCS}	Chip select setup time (Read ID)	45		ns	-
	T_{RCSFM}	Chip select setup time (Read FM)	350		ns	-
	T_{CSF}	Chip select Wait time (Write/Read)	10		ns	-
	T_{CSH}	Chip select hold time	10		ns	-
WRX	T_{WC}	Write cycle	100		ns	-
	T_{WRH}	Control pulse "H" duration	30		ns	-
	T_{WRL}	Control pulse "L" duration	30		ns	-
RDX (ID)	T_{RC}	Read cycle (ID)	160		ns	When read ID Data
	T_{RDH}	Control pulse "H" duration (ID)	90		ns	
	T_{RDL}	Control pulse "L" duration (ID)	45		ns	
RDX (FM)	T_{RCFM}	Read cycle (FM)	450		ns	When read from frame memory
	T_{RDHFM}	Control pulse "H" duration (FM)	150		ns	
	T_{RDLFM}	Control pulse "L" duration (FM)	150		ns	

3.2 Reset Input Timing



Related pins	Symbol	Parameter	Min	Max	Unit
RESX	t_{RESW}	Reset pulse duration	10	-	us
	t_{REST}	Reset cancel	-	5	ms
				120	ms

Notes:

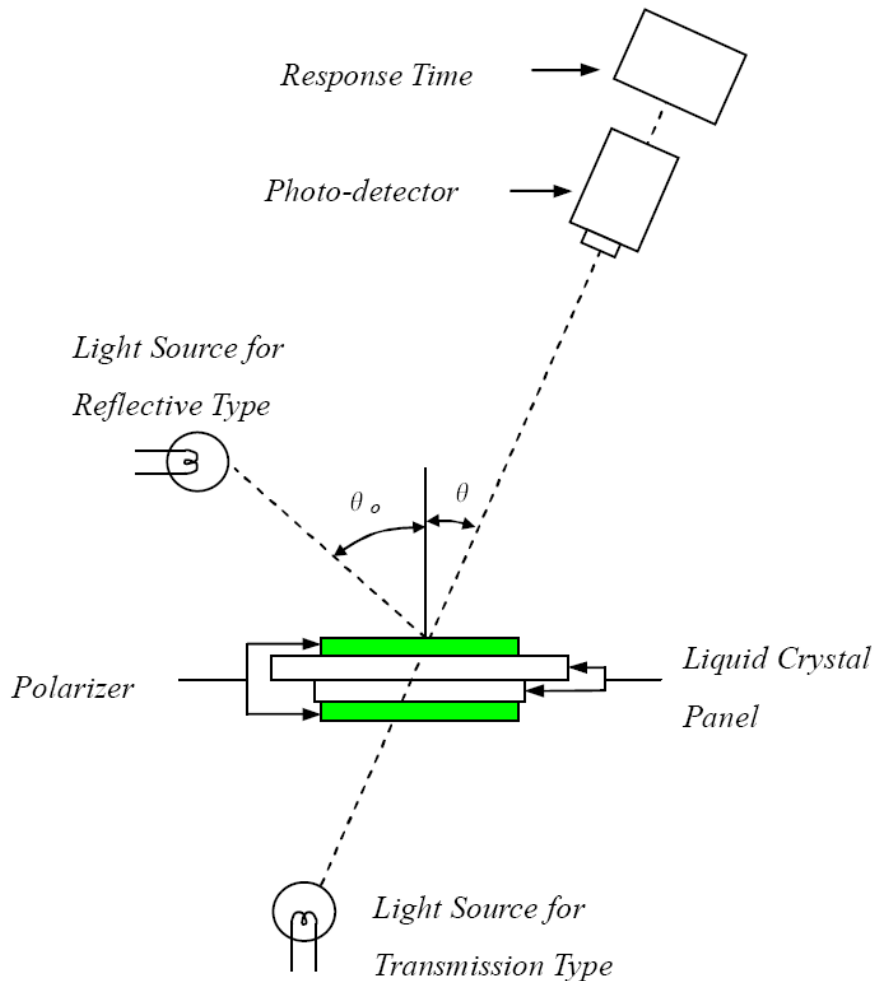
- The reset cancel includes the time required for loading ID bytes, VCOM setting and other settings from the EEPROM (or similar device) to register. This loading is done every time when there is HW reset cancel time (t_{RT}) within 5 ms after a rising edge of RESX.
- Spike due to an electrostatic discharge on RESX line does not cause irregular system reset according to the table below,

RESX Pulse	Action
Shorter than 5us	Reset rejected
Longer than 9us	Reset
Between 5us and 9us	Reset starts

4. ELECTRO-OPTICAL CHARACTERISTICS

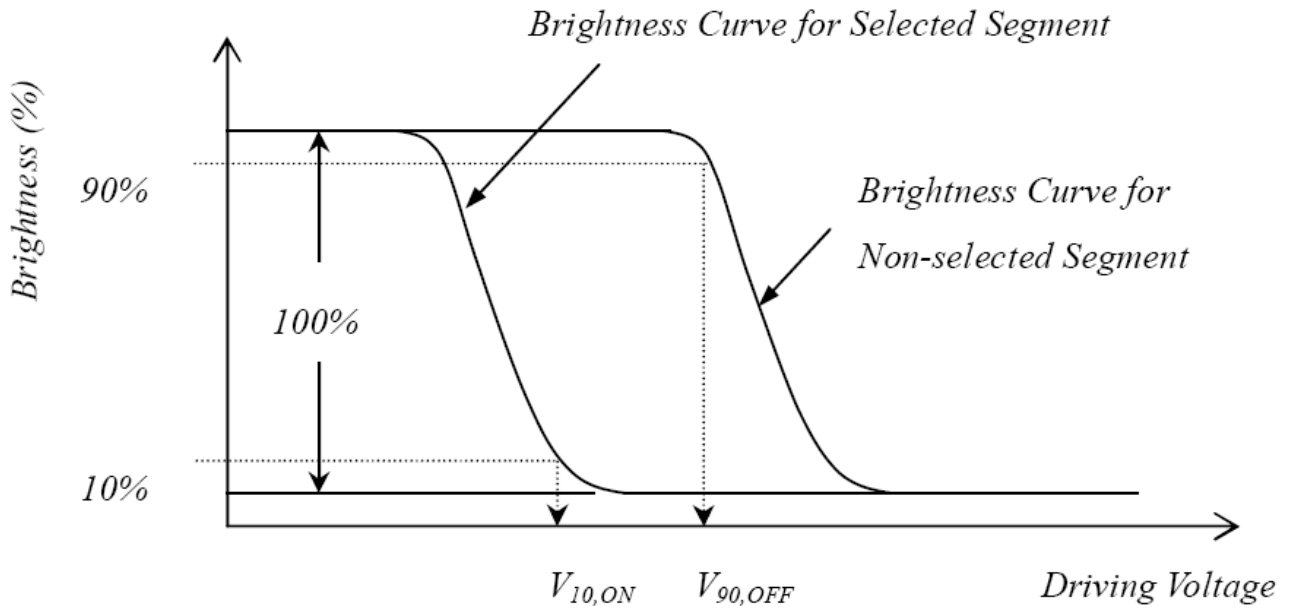
Item	Symbol	Condition	Temp	Min	Typ	Max	Units	Note
Operating Volt.	VLCD	$\theta = \phi = 0$	-10°C	----	----	----	V	-
			25°C	----	8.5	----		
			60°C	----	----	----		
Response Time	Rise Time (Tr)	$\theta = \phi = 0$	-10°C	----	----	----	msec	-
	Decay Time (Td)			----	----	----		
	Rise Time (Tr)	25°C	----	----	240			
	Decay Time (Td)		----	----	240			
	Rise Time (Tr)	60°C	----	----	----			
	Decay Time (Td)		----	----	----			
Viewing Angle Range	θ		25°C	----	----	30	Deg	$CR \geq 200$
			$\phi = 90^\circ$	----	----	30		
			$\phi = 180^\circ$	----	----	30		
			$\phi = 270^\circ$	----	----	30		
Contrast Ratio	CR	$\theta = \phi = 0$	25°C	300	450	----	---	

4.1 Electro-Optical Characteristics Test Method

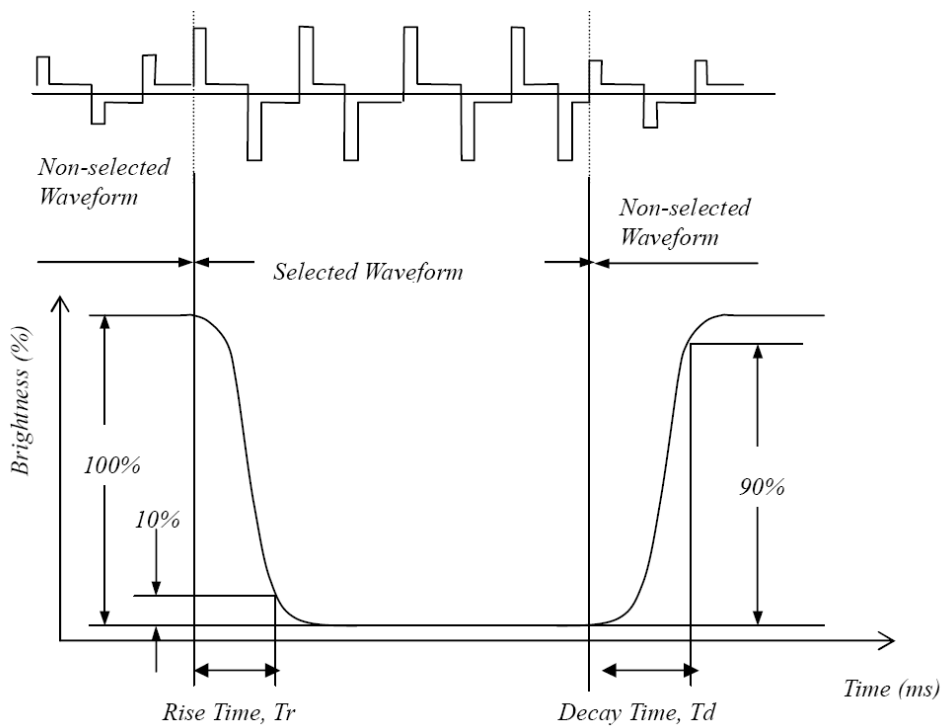


4.2 Operating Voltage: V_{OP}

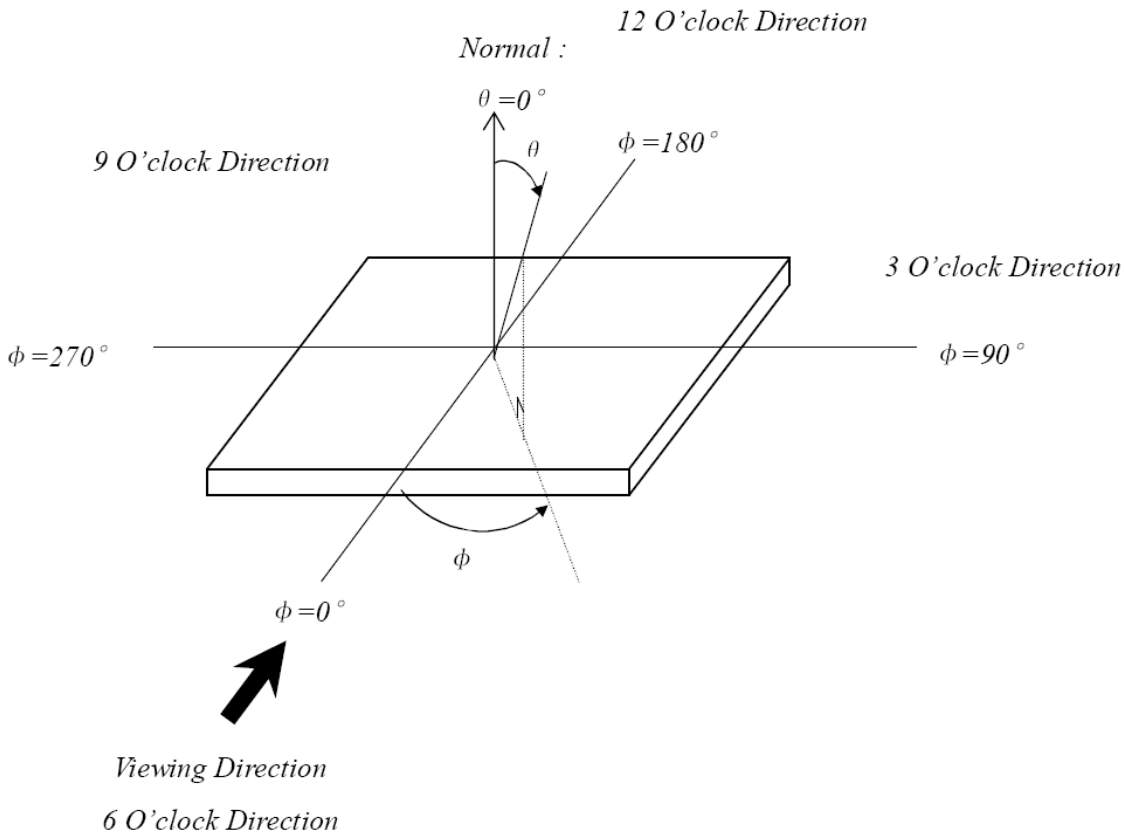
$$V_{OP} = (V_{10,ON} + V_{90,OFF}) / 2$$



4.3 Optical Response Time

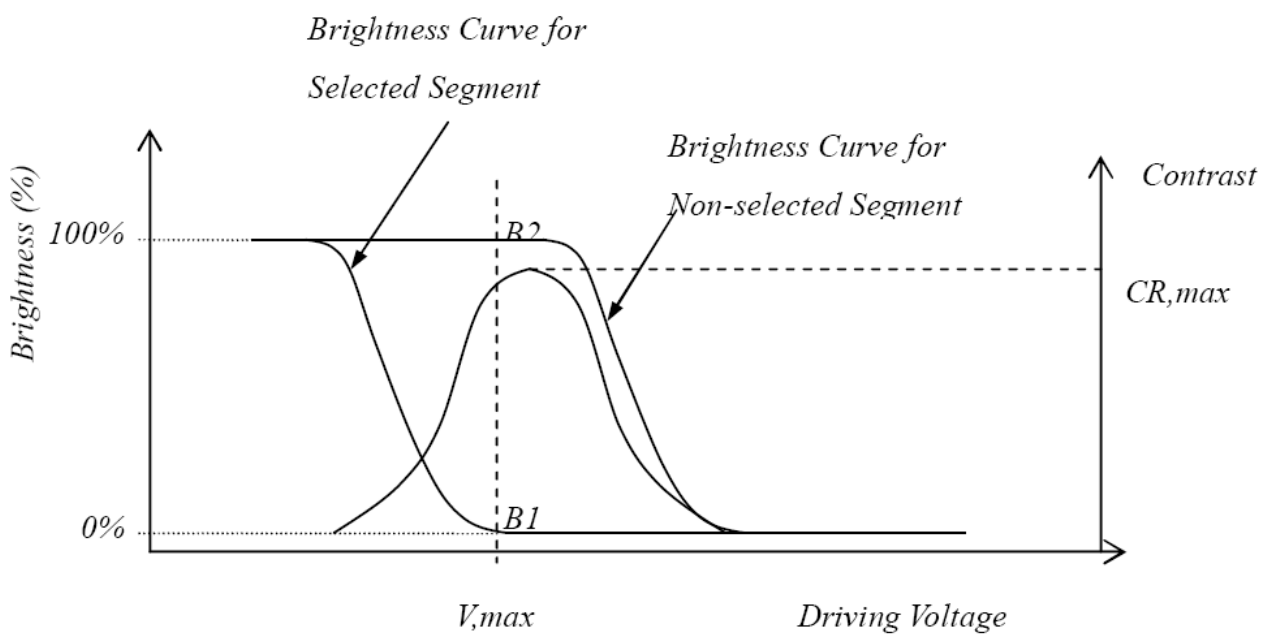


4.4 Viewing Angle: θ



4.5 Contrast Ratio: CR

$$CR = \frac{\text{Brightness of Non-selected Segment (B2)}}{\text{Brightness of Selected Segment (B1)}}$$



5. INSPECTION CRITERIA

5.1 Inspection Conditions

5.1.1 Environmental conditions

The environmental conditions for inspection shall be as follows

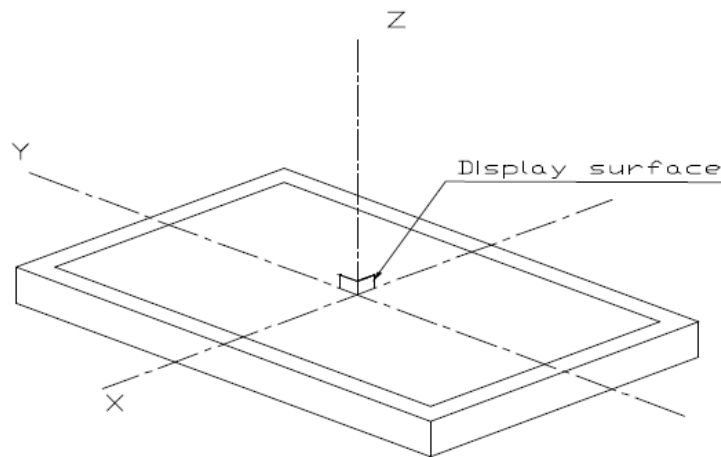
Room temperature: $20\pm 3^{\circ}\text{C}$

Humidity: $65\pm 20\%RH$

5.1.2 The external visual inspection

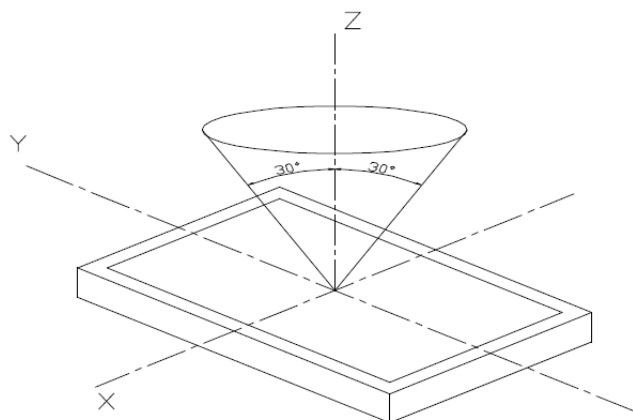
With a single 20-watt fluorescent lamp as the light source, the inspection was in the distance of 30cm or more from the LCD to the inspector's eye.

5.2 Light Method



Fluorescent lamp perpendicular to the display surface.

Inspection distance and angle



Inspection should be performed within angle ϕ (ϕ is usually 30°) from Z axis to each X and Y.

Inspection distance in any direction within ϕ must be kept $30\pm 5\text{cm}$ from the display surface.

5.3 Classification of defects

Major defect

A major defect refers to a defect that may substantially degrade usability for product applications.

Minor defect

A minor defect refers to a defect which is not considered to be able substantially degrade the product application or a defect that deviates from existing standards almost unrelated to the effective use of the product or its operation.

6. RELIABILITY

MTBF

The LCD module shall be designed to meet a minimum MTBF value of 50000 hours with normal. (25°C in the room without sunlight)

6.1 Tests

NO.	Test Item	Test condition	Criterion
1	High Temperature Storage	80°C±2°C 96H Restore 2H at 25°C Power off	After testing, cosmetic and electrical defects should not happen
2	Low Temperature Storage	-30°C±2°C 96H Restore 2H at 25°C Power off	
3	High Temperature Operation	70°C±2°C 96H Restore 2H at 25°C Power on	
4	Low Temperature Operation	-20°C±2°C 96H Restore 4H at 25°C Power on	
5	High Temperature & Humidity Operation	60°C±2°C 90%RH 96H Power on	
6	Temperature Cycle	--30°C←→25°C←→80°C 30min 5min 30min after 10cycle, Restore 2H at 25°C Power off	
7	Vibration Test	10Hz~150Hz, 100m/s ² , 120min	
8	Shock Test	Half-sinewave,300m/s ² ,11ms	
9	Drop Test(package state)	800mm, concrete floor,1corner, 3edges, 6 sides each time	1. After testing, cosmetic and electrical defects should not happen 2. The product should remain at initial place 3.Product uncovered or package broken is not permitted.

7. PRECAUTION FOR USING THE LCD MODULE

7.1 Handling precautions

- The display panel is made of glass. Do not subject it to a mechanical shock or impact by dropping it.
- If the display panel is damaged and the liquid crystal substance leaks out, be sure not to get any in your mouth. If the substance contacts your skin or clothes, wash it off using soap and water.
- Do not apply excessive force to the display surface or the adjoining area; it may cause the color tone to vary.
- The polarizer covering surface of the LCD module is soft and easily scratched. Handle the polarizer carefully.
- If the display surface becomes contaminated, breathe on the surface and gently wipe it with a soft dry cloth.
- If it is heavily contaminated, moisten a cloth with one of the following solvents:
 - Isopropyl alcohol
 - Ethyl alcohol
- Solvents other than those above mentioned may damage the polarizer.
- Especially, do not use the following:
 - Water
 - Ketone
 - Aromatic solvents
- Extra care to minimize corrosion of the electrode. Water droplets, moisture condensation or a current flow in a high-humidity environment accelerates corrosion of the electrode.
- Install the LCD Module by using the mounting holes. When mounting the LCD Module, make sure it is free of twisting, warping and distortion. In particular, do not forcibly pull or bend the I/O cable or the backlight cable.
- Do not attempt to disassemble or process the LCD Module.
- NC terminal should be open. Do not connect anything.
- If the logic circuit power is off, do not apply the input signals.
- Maintain optimum work environment to prevent destruction of the elements by static electricity.
 - Be sure to ground the body when handling the LCD Module.
 - Tools required for assembling, such as soldering irons, must be properly grounded.
 - -To reduce the amount of static electricity generated, do not conduct assembling and other work under dry conditions.
 - -The LCD Module is coated with a film to protect the display surface. Exercise care when peeling off this protective film since static electricity may be generated.

7.2 Storage Precautions

When storing The LCD Module, avoid exposure to direct sunlight of fluorescent lamps. Keep the module in bags (avoid high temperature/ high humidity and low temperatures below 0°C). Whenever possible, the LCD Module should be stored in the same conditions in which they were shipped from our company.

7.3 Others

Liquid crystals solidify under low temperature (below the storage temperature range) leading to defective orientation or the generation of air bubbles (black or white). Air bubbles may also be generated if the module is subject to a low temperature.

If the LCD Module have been operating for a long time showing the same display patterns the display patterns may remain on the screen as ghost images and a slight contrast irregularity may also appear. A normal operating status can be recovered by suspending use for some time. It should be noted that this phenomenon does not adversely affect performance reliability.

To minimize the performance degradation of the LCD Module resulting from destruction caused by static electricity etc. exercise care to avoid holding the following sections when handling the modules.

- Exposed area of the printed circuit board.
- Terminal electrode sections.

8. USING THE LCD MODULE

8.1 Liquid Crystal Display Module

LCD is composed of glass and polarizer. Pay attention to the following items when handling.

- Please keep the temperature within specified range for use and storage. Polarization degradation, bubble generation or polarizer peel-off may occur with high temperature and high humidity.
- Do not touch, push or rub the exposed polarizer with anything harder than a HB pencil lead (glass, tweezers, etc).
- N-hexane is recommended for cleaning the adhesives used to attach front/rear polarizer and reflectors made of organic substances, which will be damaged by chemicals such as acetone, toluene, toluene, ethanol and isopropyl alcohol.
- When the display surface becomes dusty, wipe gently with absorbent cotton or other soft material like chamois soaked in petroleum ether. Do not scrub hard to avoid damaging the display surface.
- Wipe off saliva or water drops immediately, contact with water over a long period of time may cause deformation or color fading.
- Avoid contacting oil and fats.
- Condensation on the surface and contact with terminals due to cold will damage, stain or polarizer. After products are tested at low temperature they must be warmed up in a container before coming is contacting with room temperature air.
- Do not put or attach anything on the display area to avoid leaving marks on.
- Do not touch the display with bare hands. This will stain the display area and degrade insulation between terminals (some cosmetics are determinate to the polarizer).
- As glass is fragile, it tends to become or chipped during handling especially on the edges. Please avoid dropping or jarring.

8.2 Installing the LCD Module

Attend to the following items when installing the LCM.

- Cover the surface with a transparent protective plate to protect the polarizer and LC cell.
- When assembling the LCM into other equipment, the spacer to the bit between the LCM and the fitting plate should have enough height to avoid causing stress to the module surface, refer to the individual specifications for measurements. The measurement tolerance should be $\pm 0.1\text{mm}$.

8.3 Electrostatic Discharge Control

Since this module uses a CMOS LSI, the same careful attention should be paid for electrostatic discharge as for an ordinary CMOS IC.

- Make certain that you are grounded when handing LCM.
- Before removing LCM from its packing case or incorporating it into a set, be sure the module and your body have the same electric potential.
- When soldering the terminal of LCM, make certain the AC power source for the soldering iron does not leak.
- When using an electric screwdriver to attach LCM, the screwdriver should be of ground potentiality to minimize as much as possible any transmission of electromagnetic waves produced sparks coming from the commutator of the motor.
- As far as possible, make the electric potential of your work clothes and that of the workbenches to the ground potential.
- To reduce the generation of static electricity, be careful that the air in the work is not too dried. A relative humidity of 50%-60% is recommended.

8.4 Precaution for Soldering to the LCM

Observe the following when soldering lead wire, connector cable and etc. to the LCM.

- Soldering iron temperature: $280 \pm 10^{\circ}\text{C}$.
- Soldering time: 3-4 sec.
- Solder: eutectic solder.
- If soldering flux is used, be sure to remove any remaining flux after finishing to soldering operation. (This does not apply in the case of a non-halogen type of flux.) It is recommended that you protect the LCD surface with a cover during soldering to prevent any damage due to flux spatters.
- When soldering the electroluminescent panel and PC board, the panel and board should not be detached more than three times. This maximum number is determined by the temperature and time conditions mentioned above, though there may be some variance depending on the temperature of the soldering iron.
- When removing the electroluminescent panel from the PC board, be sure the solder has completely melted, otherwise the soldered pad on the PC board could be damaged.

8.5 Precautions for operation

- Viewing angle varies with the change of liquid crystal driving voltage (V_0). Adjust V_0 to show the best contrast.
- Driving the LCD in the voltage above the limit will shorten its lifetime.
- Response time is greatly delayed at temperature below the operating temperature range. However, this does not mean the LCD will be out of the order. It will recover when it returns to the specified temperature range.
- If the display area is pushed hard during operation, the display will become abnormal. However, it will return to normal if it is turned off and then on.
- Condensation on terminals can cause an electrochemical reaction disrupting the terminal circuit. Therefore, it must be used under the relative condition of 40°C , 50% RH.
- When turning the power on, input each signal after the positive/negative voltage becomes stable.

8.6 Storage

When storing LCDS as spares for some years, the following precaution are necessary.

- Store them in a sealed polyethylene bag. If properly sealed, there is no need for desiccant.
- Store them in a dark place. Do not expose to sunlight or fluorescent light, keep the temperature between 0°C and 35°C .
- The polarizer surface should not come in contact with any other objects. (We advise you to store them in the container in which they were shipped.)
- Environmental conditions:
 - -Do not leave them for more than 168hrs at 60°C .
 - -Should not be left for more than 48hrs at -20°C .

8.7 Safety

- It is recommended to crush damaged or unnecessary LCDs into pieces and wash them off with solvents such as acetone and ethanol, which should later be burned.
- If any liquid leaks out of a damaged glass cell and comes in contact with the hands, wash off thoroughly with soap and water.

8.8 Return the LCM under warranty

No warranty can be granted if the precautions stated above have been disregarded. The typical examples of violations are:

- Broken LCD glass.
- PCB eyelet's damaged or modified.
- PCB conductors damaged.
- Circuit modified in any way, including addition of components.
- PCB tampered with by grinding, engraving or painting varnish.
- Soldering to or modifying the bezel in any manner.

Module repairs will be invoiced to the customer upon mutual agreement. Modules must be returned with sufficient description of the failures or defects. Any connectors or cable installed by the customer must be removed completely without damaging the PCB eyelet's conductors and terminals.

PROPRIETARY INFORMATION

The information contained in this document is the property of 4D Systems Pty. Ltd. and may be the subject of patents pending or granted, and must not be copied or disclosed without prior written permission.

4D Systems endeavors to ensure that the information in this document is correct and fairly stated but does not accept liability for any error or omission. The development of 4D Systems products and services is continuous and published information may not be up to date. It is important to check the current position with 4D Systems.

All trademarks belong to their respective owners and are recognized and acknowledged.

DISCLAIMER OF WARRANTIES & LIMITATION OF LIABILITY

4D Labs makes no warranty, either express or implied with respect to any product, and specifically disclaims all other warranties, including, without limitation, warranties for merchantability, non-infringement and fitness for any particular purpose.

Information contained in this publication regarding device applications and the like is provided only for your convenience and may be superseded by updates. It is your responsibility to ensure that your application meets with your specifications.

In no event shall 4D Labs be liable to the buyer or to any third party for any indirect, incidental, special, consequential, punitive or exemplary damages (including without limitation lost profits, lost savings, or loss of business opportunity) arising out of or relating to any product or service provided or to be provided by 4D Labs, or the use or inability to use the same, even if 4D Labs has been advised of the possibility of such damages.

4D Labs products are not fault tolerant nor designed, manufactured or intended for use or resale as on line control equipment in hazardous environments requiring fail – safe performance, such as in the operation of nuclear facilities, aircraft navigation or communication systems, air traffic control, direct life support machines or weapons systems in which the failure of the product could lead directly to death, personal injury or severe physical or environmental damage ('High Risk Activities'). 4D Labs and its suppliers specifically disclaim any expressed or implied warranty of fitness for High Risk Activities.

Use of 4D Labs' products and devices in 'High Risk Activities' and in any other application is entirely at the buyer's risk, and the buyer agrees to defend, indemnify and hold harmless 4D Labs from any and all damages, claims, suits, or expenses resulting from such use. No licenses are conveyed, implicitly or otherwise, under any 4D Labs intellectual property rights.

CONTACT INFORMATION

For Technical Support: support@4dsystems.com.au

For Sales Support: sales@4dsystems.com.au

Website: www.4dsystems.com.au

Copyright 4D Systems Pty. Ltd. 2000-2012.