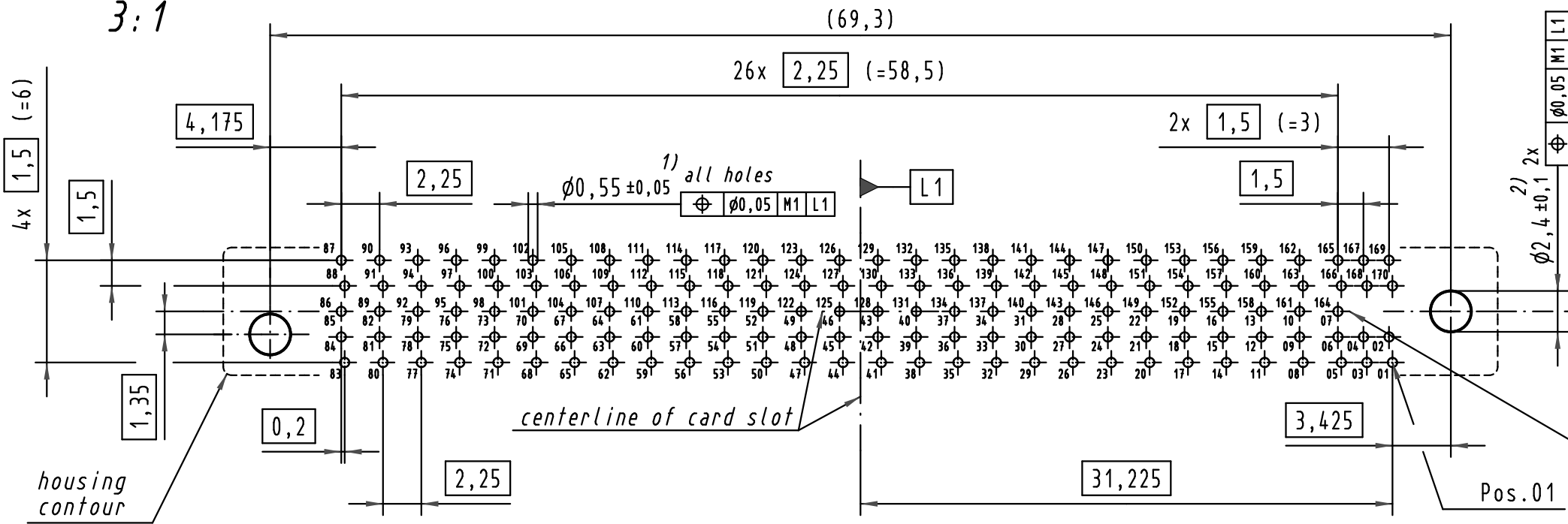
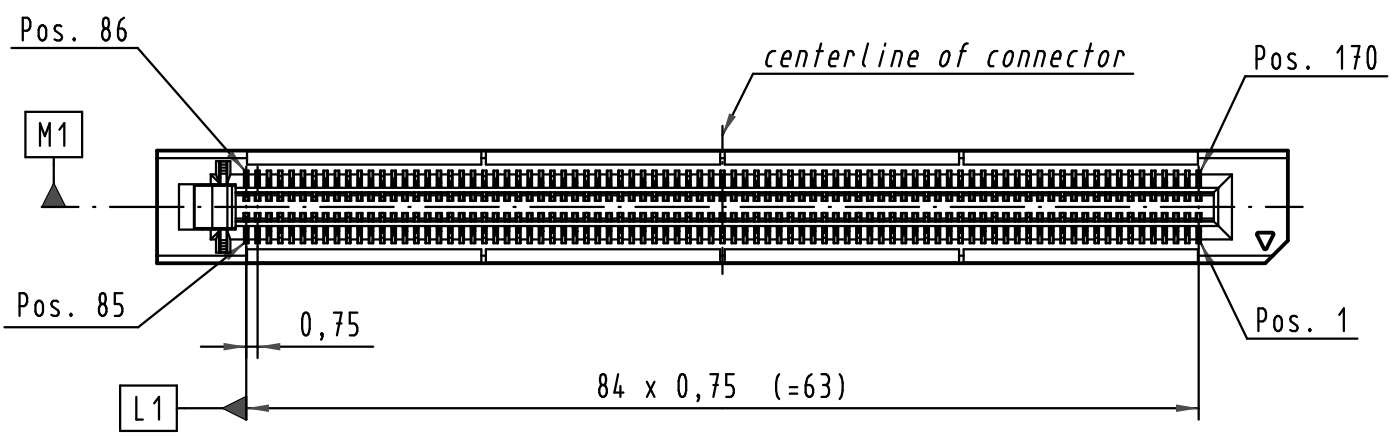
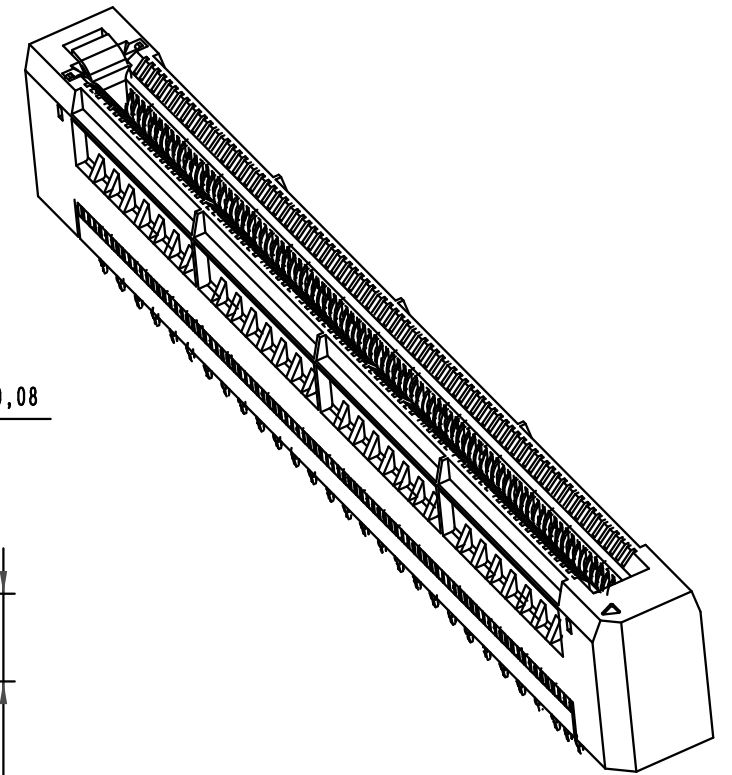
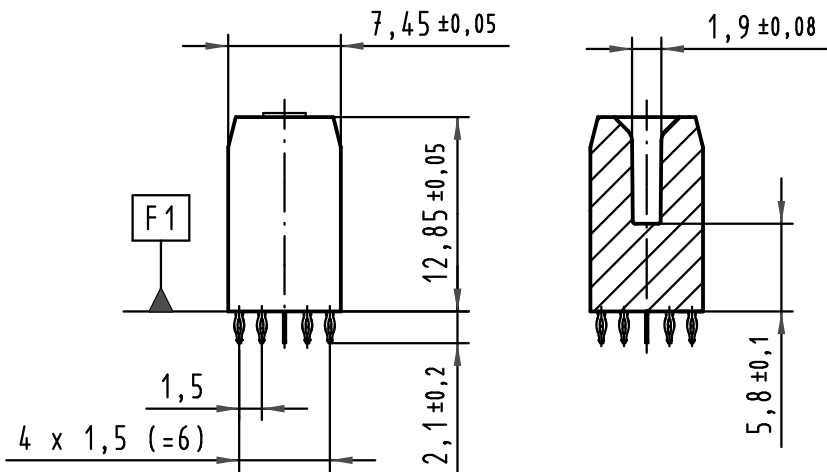
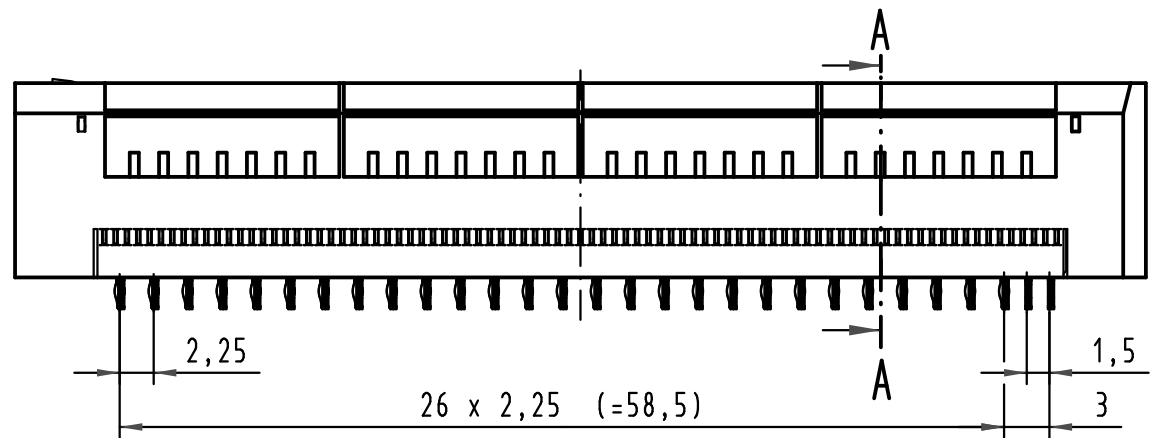
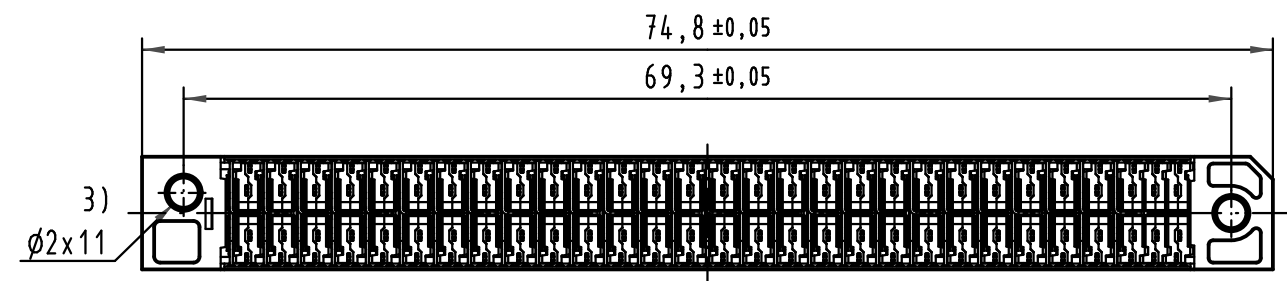


Board Layout 3:1



- 1) recommended drill hole $\phi 0,64 \pm 0,01 \text{mm}$ (acc. to IEC 60352-5)
through hole dia. (after plating): $\phi 0,55 \pm 0,05$
- 2) fixing-hole optional
non-metallized drillings
- 3) use self-tapping screws for plastics
2,2x length,
e.g. HARTING Part.-no.: 09 06 001 9974
(length= pcb thickness + 6,5mm to 10mm)

Alle Rechte vorbehalten/ All rights reserved



missing dimensions and information acc. to PICMG MicroTCA.0
(Micro Telecommunications Computing Architecture Base Specification)



All Dimensions in mm Original Size DIN A 3	Techn. Character.			Nicht tolerierte Maß/Free size tolerances	
	Dat.	Name	Maßstab/Scale	AdvancedMC connector for MicroTCA 170 pole, press-fit	
Detail.	25.09.09 hsv	2:1			
Insp.	25.09.09 Lue.		3:1		
Stand.			HARTING Electronics GmbH & Co. KG D-32339 ESPELKAMP		TB 16 11 170 5202 000
35928					Blatt/ page
Mod.	Dat.	Name			Sub.