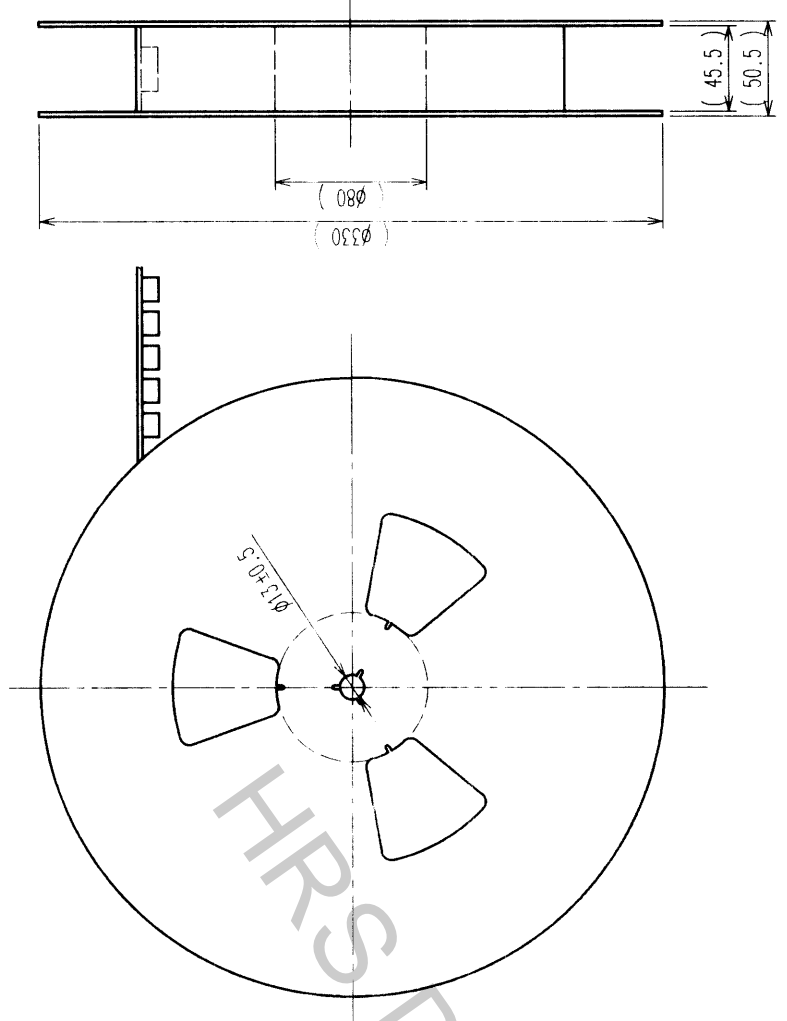
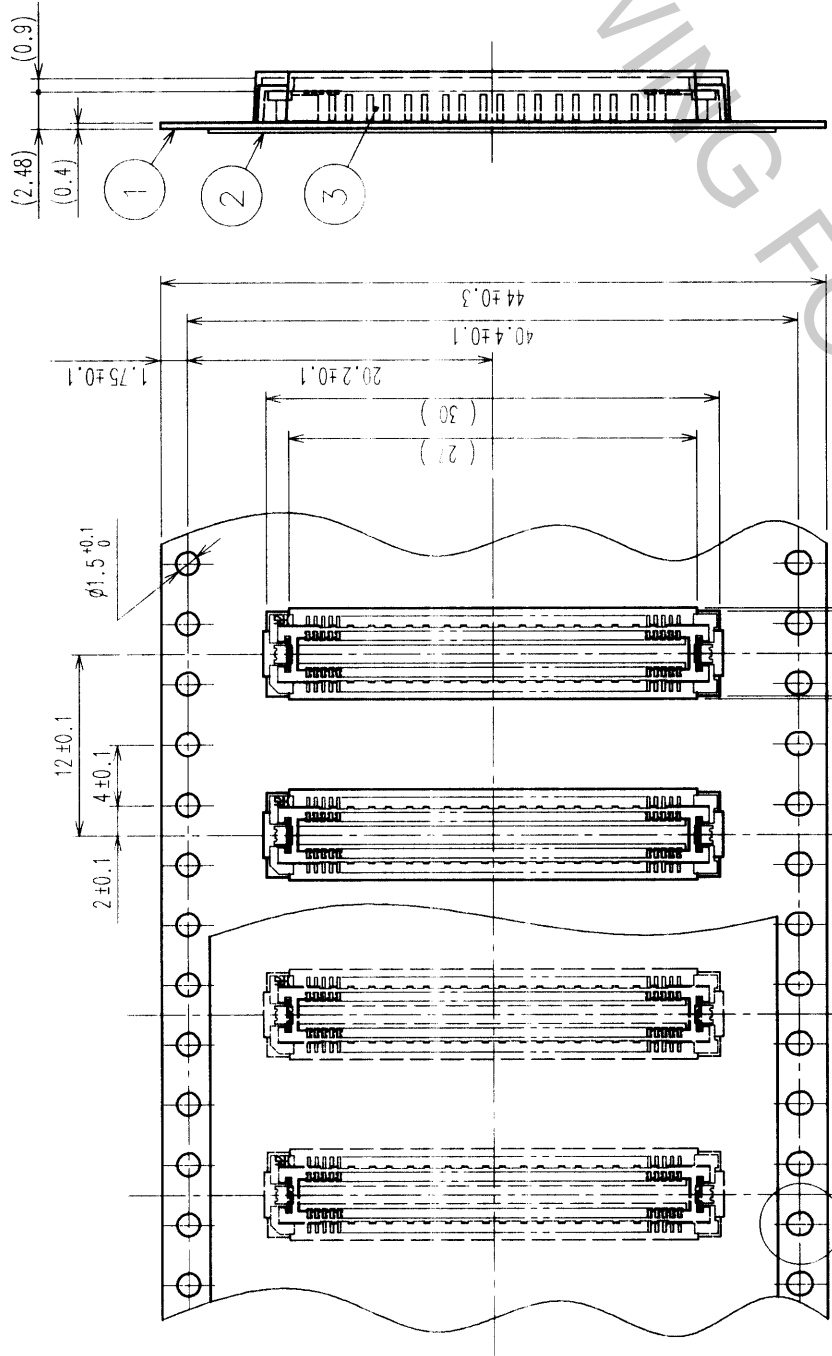
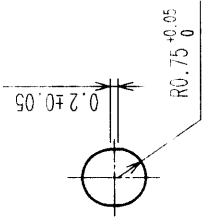


COUNT	DESCRIPTION OF REVISIONS	BY	CHKD	DATE	COUNT	DESCRIPTION OF REVISIONS	BY	CHKD	DATE
△				..	△				..
△				..	△				..
△				..	△				..

REELED DIMENSION (FREE)



A (5 : 1)



- NOTES
- 1 REEL: 1000 CONNECTORS.
 - 2 MINIMUM 10 COMPARTMENTS FROM BOTH REEL ENDS REMAIN EMPTY.
 - 3 THIS PRODUCT HAS NO POLARITY TO TAPE AND REEL PACKAGING.

2		TOP COVER TAPE		3		(CONNECTOR)		FINISH, REMARKS		APPROVED		RELEASED	
NO.	MATERIAL	EMBOSSED	CARRIER TAPE	NO.	MATERIAL	NO.	MATERIAL	DESIGNED	CHECKED	APPROVED	DESIGNED	CHECKED	RELEASED
1	PS			3				J. MATSUKAWA	M. ISHIDA	Y. YOSHIMURA	J. MATSUKAWA	M. ISHIDA	Y. YOSHIMURA
CODE NO. (OLD)		DRAWING NO.		PART NO.		FINISH, REMARKS		DRAWN		CHECKED		APPROVED	
CL		EDC3-152610-01		FX11B-100P-SV(21)		DRAWING FOR PACKING		J. MATSUKAWA		M. ISHIDA		Y. YOSHIMURA	
		SCALE		UNITS		DRAWING NO.		PART NO.		FINISH, REMARKS		RELEASED	
		2 : 1		mm		EDC3-152610-01		FX11B-100P-SV(21)		DRAWING FOR PACKING			
						HIROSE ELECTRIC CO., LTD		CL573-0553-0-21					

TO	
PCK	