

5

4

3

2

1

DRAWING NO.
28-90507

REVISIONS

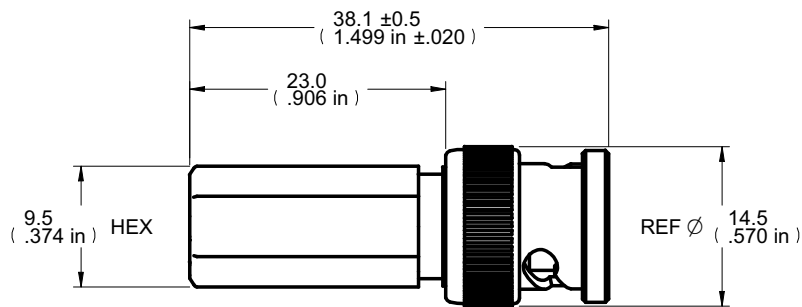
01	OFFICIAL RELEASE			2009.09.01
	08-18-09	L	L	H

Betty 8 09:38:55
+0800

Description: CPFIUG782 75 BNC(M) 1PC TW RG59
 Part No: 28-90507
 Application: For RG 59/62 Cable
 Crimp Tool: N/A
 Impedance: 75 ohm
 Frequency Range: 0~2 GHz
 Material: Body Zinc Nickel plated
 Insulator PP/ TPX
 Contact Brass Gold plated
 Coupling nut Zinc Nickel plated
 RoHS Compliance: Yes
 Technical Detail: Refer to Emerson Document P/N 27-0000



受控 CONTROLLED DOCUMENT					
编号 P/N	28-90507-CUST	版本 Rev	01	日期 Rel'd Date	SEP 14,09



DIM OUTLINE

CUSTOMER COPY

TOLERANCE UNLESS OTHERWISE SPECIFIED		DRAWN BY LINDA.WU	DATE 08-18-09
DECIMALS	mm	CHECKED BY LINDA.WU	DATE 08-18-09
X	± 0.5	APPROVED BY THOMAS	DATE 08-18-09
X.X	± 0.3	U/M	mm
X.XX	± 0.1		
ANGLES	± 0.5°		



TITLE
CPFIUG782 75 BNC (M) 1 PC TW RG59

SHEET 1 OF 1	DRAWING NO. 28-90507	SIZE A
-----------------	-------------------------	-----------

THIS DRAWING WAS PRODUCED BY COMPUTER,
DO NOT SCALE DRAWING OR UPDATE MANUALLY.

5

4

3

2

1