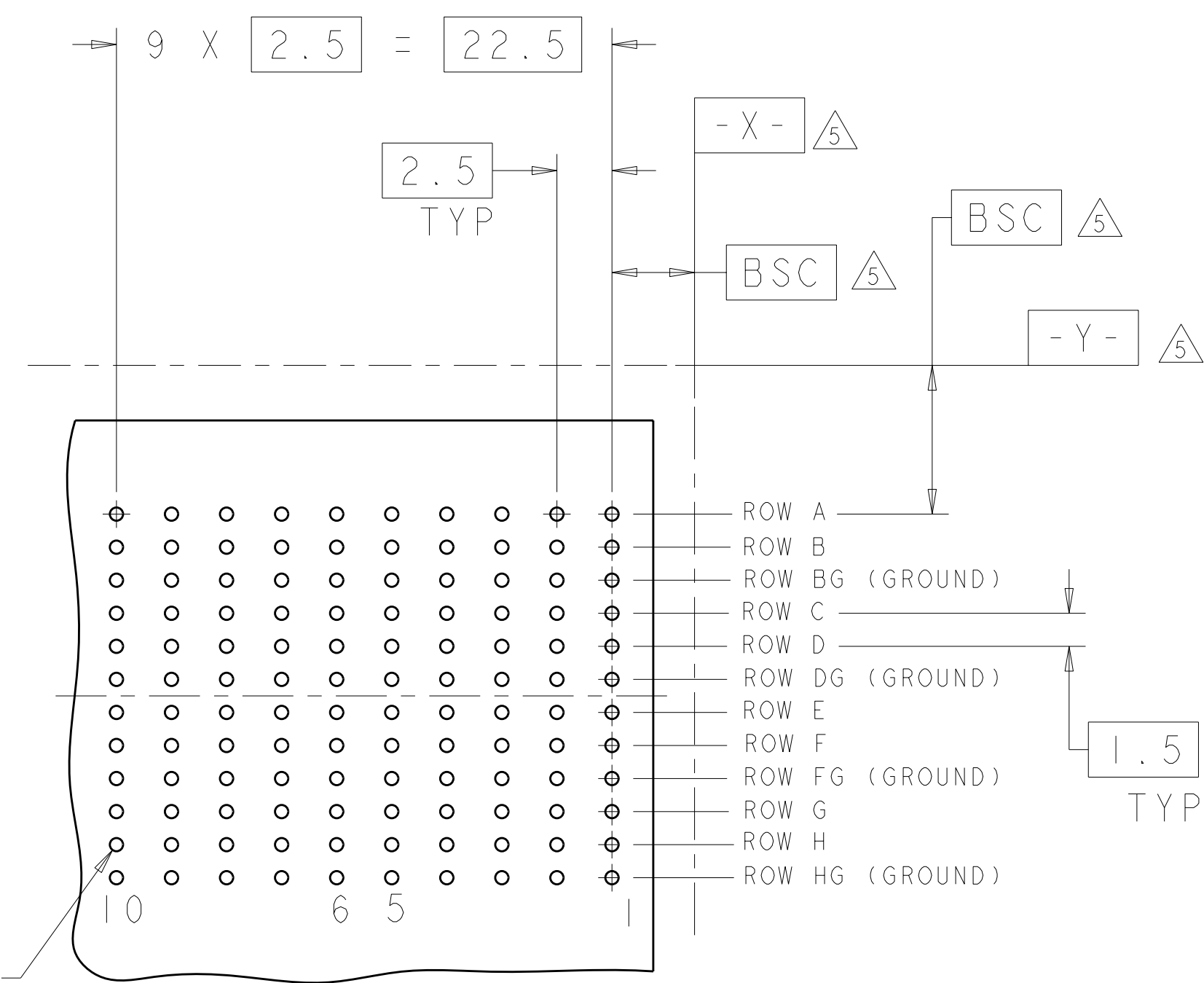
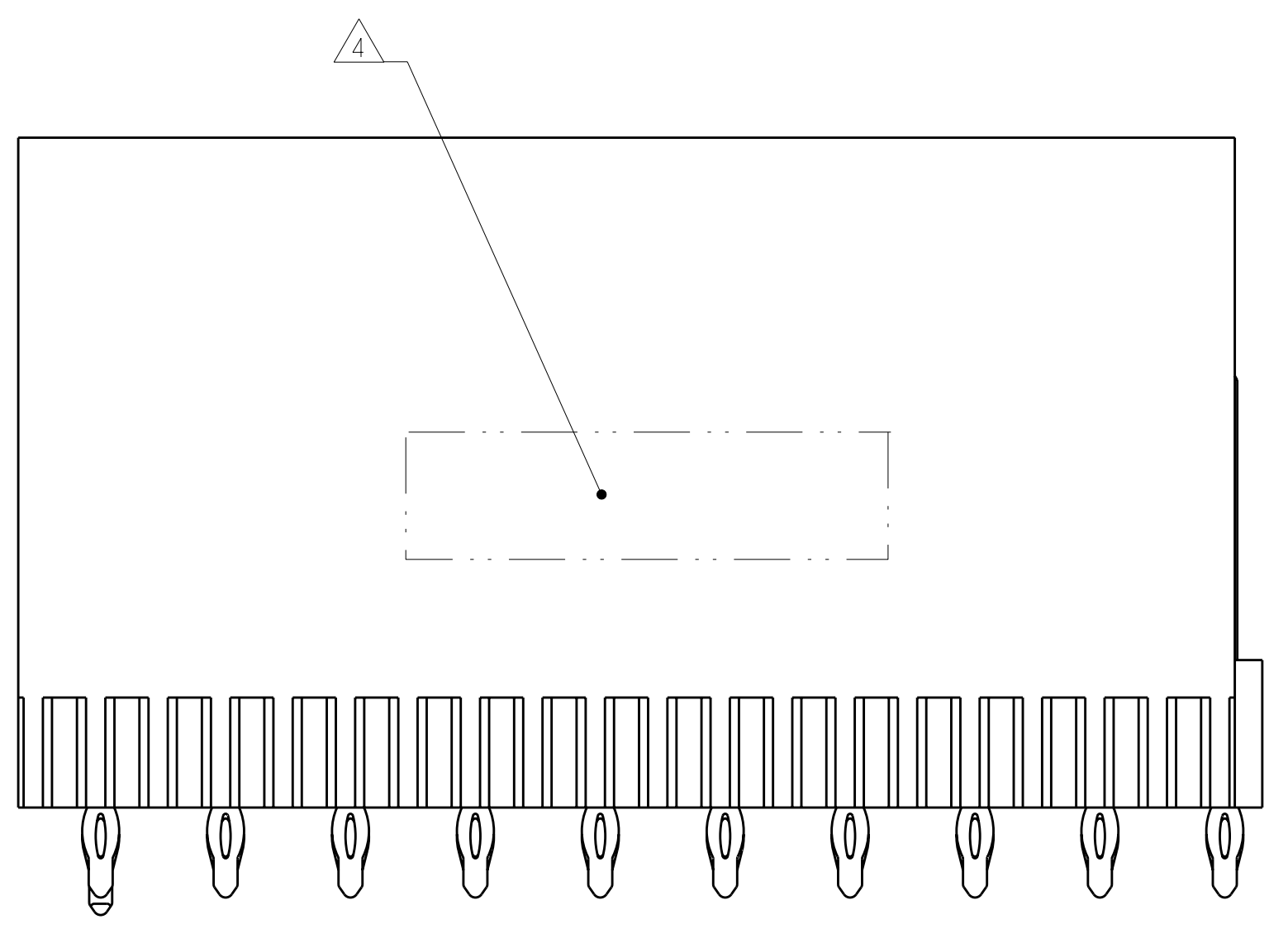
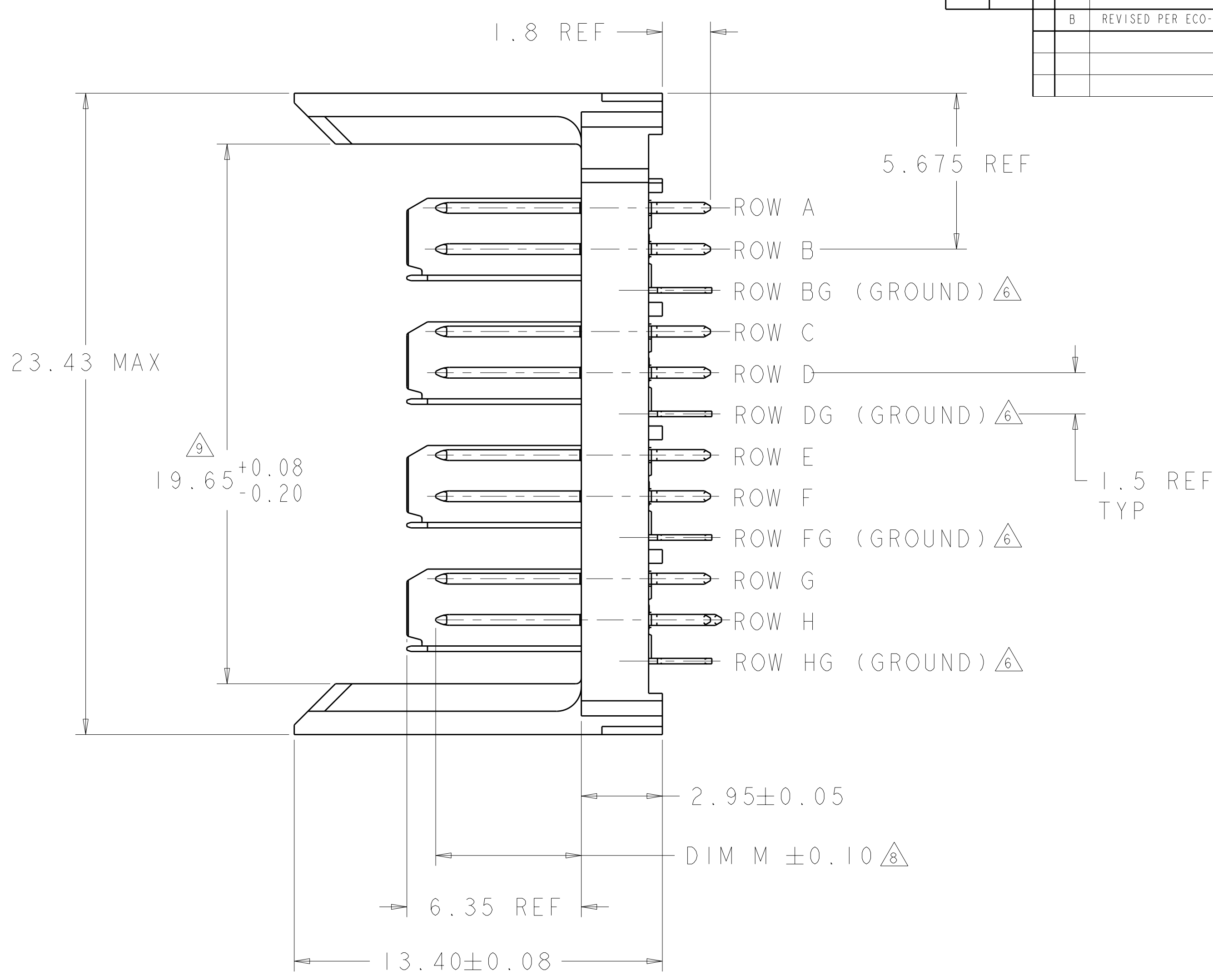
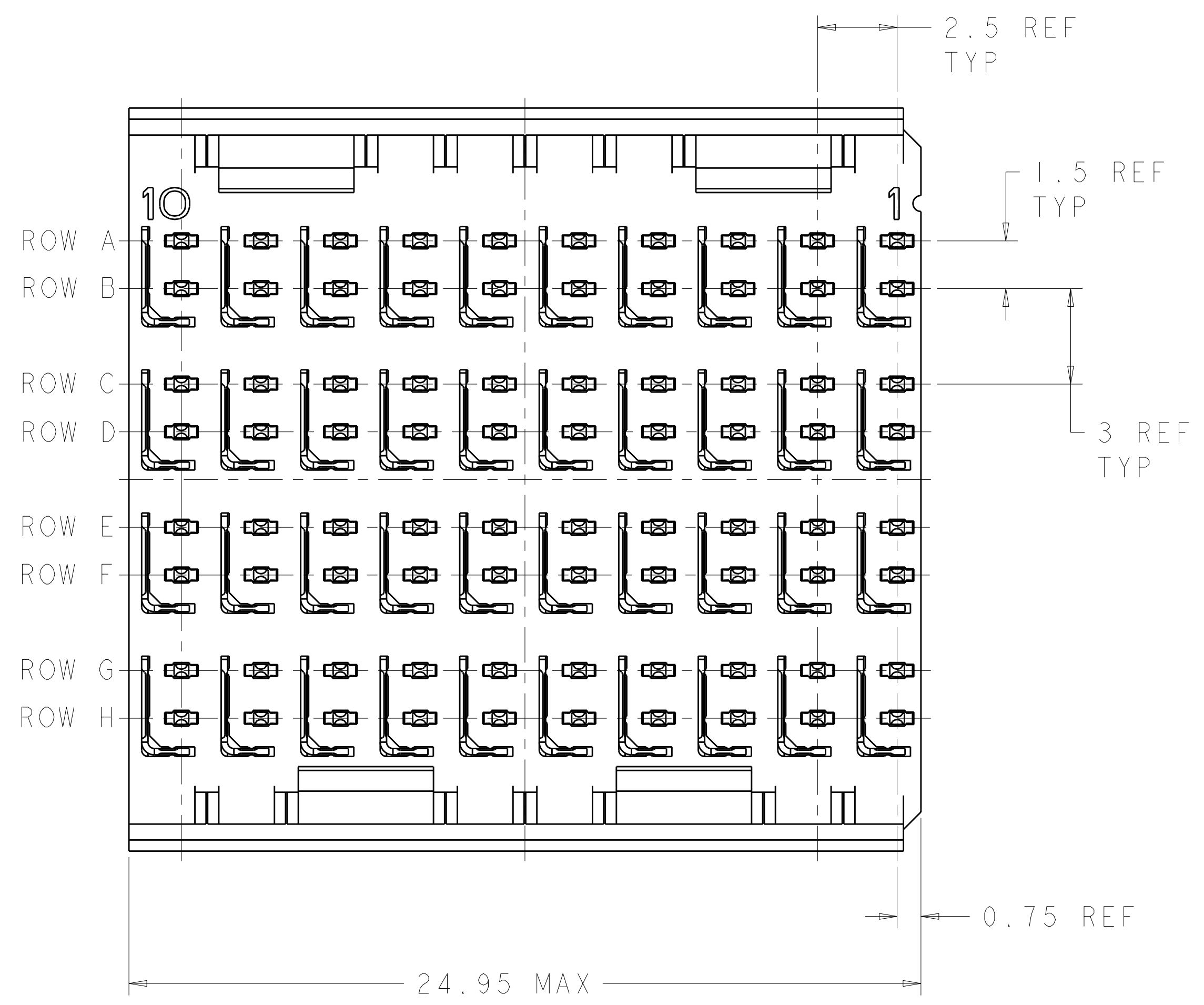


LOC		DIST		REVISIONS			
AD	00	P	LTR	DESCRIPTION	DATE	DWN	APVD
		B		REVISED PER ECO-12-000118	17JAN12	KH	DY



- △ REFERENCE APPLICATION SPEC 114-13059 FOR RECOMMENDED PLATED THRU HOLE DIAMETER AND PLATING THICKNESSES.
- △ MATERIAL: CONTACT AND SHIELD - PHOSPHOR BRONZE HOUSING - GLASS FILLED POLYESTER, UL 94V-0.
- △ FINISH: SIGNAL AND GROUND CONTACTS: MATING AREA: MEETS THE PERFORMANCE REQUIREMENTS OF PRODUCT SPECIFICATION 108-2055; BASED ON TELCORDIA GR-1217-CORE, APPLICATIONS IN UNCONTROLLED ENVIRONMENTS COMPLIANT PIN AREA: 0.5 μm MIN MATTE TIN OVER BASE PLATING
- △ CONNECTOR MARKED WITH PART NUMBER AND DATE CODE.
- △ DATUMS AND BASIC DIMENSIONS ESTABLISHED BY CUSTOMER.
- △ THE FOUR GROUNDS IN EACH COLUMN ARE COMMONED.
- 7. CONTACT AREA LUBRICATED WITH BELLCORE APPROVED LUBRICANT. TECHNICAL REFERENCE: GR-1217-CORE, ISSUE 1, NOVEMBER 1995.
- △ REFER TO "CONTACT LAYOUT" CHART FOR SEQUENCING.
- △ DIMENSION APPLIES TO FIRST AND LAST CIRCUITS.

CONTACT LAYOUT
 A = 3.80mm (DIM M)
 B = 5.30mm (DIM M)
 G = GROUND

		COLUMNS									
		10	9	8	7	6	5	4	3	2	1
ROWS	A	B	B	B	B	B	B	B	B	B	B
	B	B	B	B	B	B	B	B	B	B	B
	BG	G	G	G	G	G	G	G	G	G	G
	C	B	B	B	B	B	B	B	B	B	B
	D	B	B	B	B	B	B	B	B	B	B
	DG	G	G	G	G	G	G	G	G	G	G
	E	B	B	B	B	B	B	B	B	B	B
	F	B	B	B	B	B	B	B	B	B	B
FG	G	G	G	G	G	G	G	G	G	G	
G	B	B	B	B	B	B	B	B	B	B	
H	A	B	B	B	B	B	B	B	B	B	
HG	G	G	G	G	G	G	G	G	G	G	

⊕ ∅0.05 X Y
 ALL PLATED THRU HOLES

RECOMMENDED PC BOARD LAYOUT, BACKPLANE, COMPONENT SIDE SHOWN
 SCALE 4:1

6469056-1
 PART NUMBER

THIS DRAWING IS A CONTROLLED DOCUMENT.

DIMENSIONS:	TOLERANCES UNLESS OTHERWISE SPECIFIED:	DWN S. J. MAGARO 25JUN2004	CHK R. A. PATTERSON 25JUN2004	APVD P. PATTERSON 16AUG2007	NAME
mm	9 PLC ± 3 PLC ± 5 PLC ± 4 PLC ± ANGLES ±	TE Connectivity			HEADER ASSEMBLY, 4 PAIR, SELECTIVELY LOADED, 1.8mm TAIL, 25mm HMZd
MATERIAL	FINISH	WEIGHT	SIZE CAGE CODE DRAWING NO	RESTRICTED TO	
			A100779C=6469056		
CUSTOMER DRAWING		SCALE 8:1	SHEET 1 OF 1	REV B	