

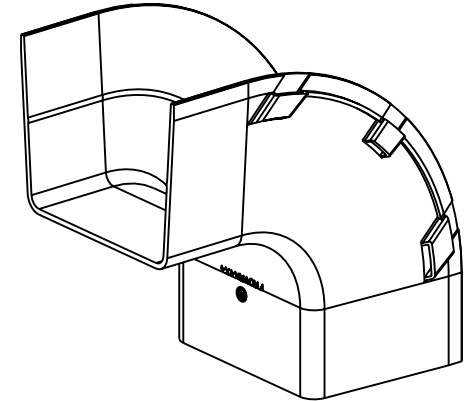
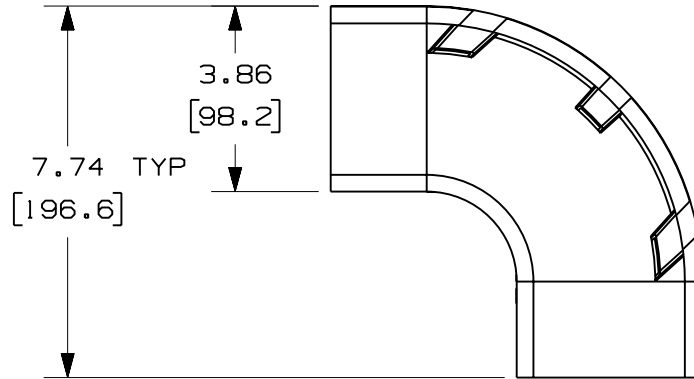
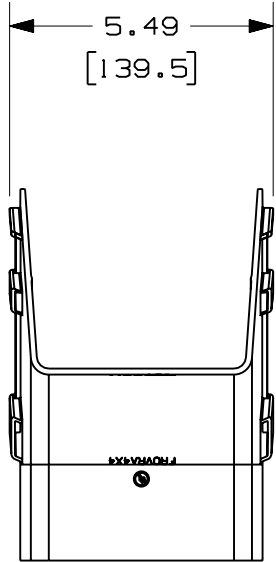


PANDUIT PART NUMBER	WEIGHT
FROVRA4X4	0.56 LB/EACH (254g/EACH)



NOTES:

1. SEE CURRENT CATALOG FOR ADDITIONAL PART SUFFIXES TO INDICATE COLOR AND/OR PACKAGE QUANTITY.
2. THE FIBERRUNNER 4x4 OUTSIDE VERTICAL RIGHT ANGLE FITTING IS DESIGNED WITH A MINIMUM 2" (50.8) BEND RADIUS TO PROTECT FIBER OPTIC CABLES.
3. DIMENSIONS IN PARENTHESES ARE IN METRIC.



ENG. REF.: D37847BS_DC_FROVRA4X4_02.prt

CAD FILENAME/LAYERS

E FROVRA4X4.pdf

PANDUIT CORP TINLEY PARK, ILLINOIS
**FIBERRUNNER 4x4 OUTSIDE VERTICAL
 RIGHT ANGLE FITTING (FROVRA4X4)**
 CUSTOMER DRAWING

UNLESS OTHERWISE SPECIFIED,
 DIMENSIONAL TOLERANCES ARE:
 (.X) ± (.XXX) ±
 (.XX) ± .03 (.8) ANGLES ±

UNLESS OTHERWISE SPECIFIED,
 ALL DIMENSIONS ARE GIVEN IN
 INCHES, THIRD ANGLE PROJECTION.

DRAWN BY: JHNU
 DATE: 7-16-01
 CHK'D: LD

MAT'L:

ABS

SCALE: NONE

DRAWING NO.: 37847-61
 DWG SIZE: A

REV	DATE	BY	CHK	DESCRIPTION	ECN	R	CUST	SUP	GMBH
-	-----	---	---	G. REVISED GENERAL NOTES F. REVISED PART WEIGHT	-----	--	--		
2	7-7-06	DTP	RN	E. REVISED CAD FILENAME D. REVISED AND REDRAWN	37847-61	RN	RN		