

THIS DOCUMENT IS SUBJECT TO CHANGE WITHOUT NOTICE. IT IS CONFIDENTIAL AND A PROPERTY OF Amphenol LTW. DISCLOSURE TO THIRD PARTY HAS TO BE AUTHORIZED BY Amphenol LTW.

REV.	ECN NO.	DATE	SIGN	DESCRIPTION

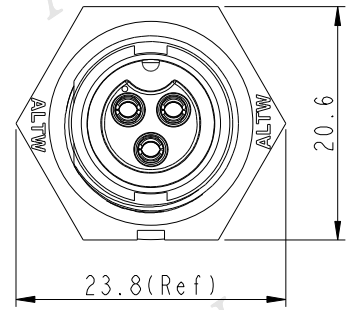
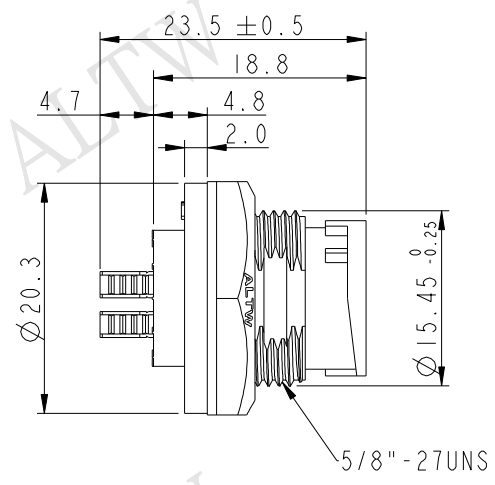
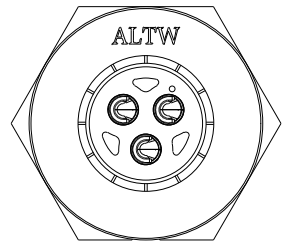
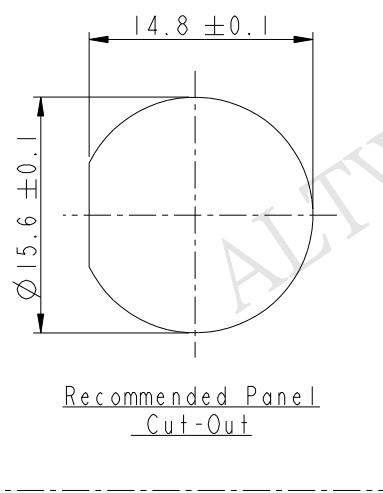
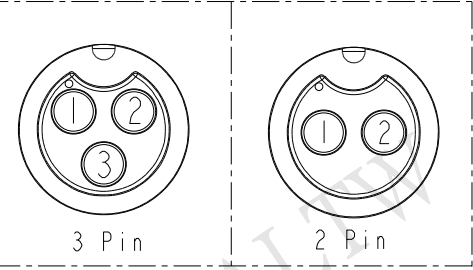
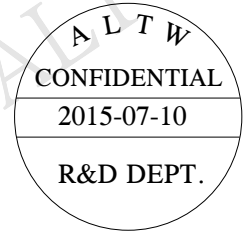
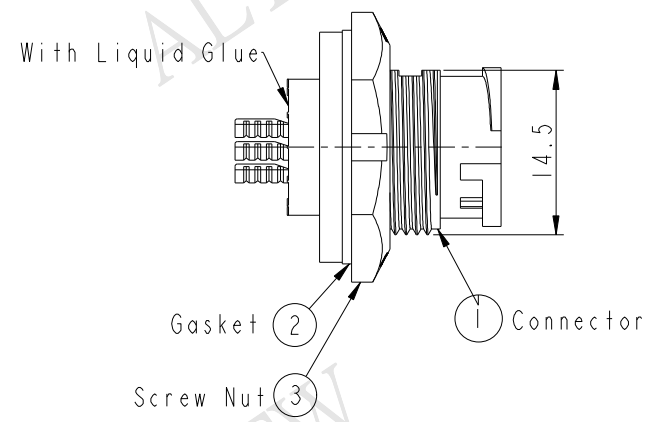


ABB-XXPMFS-LC7001
 02: 2Pin
 :
 03: 3Pin



- Note:
- * (CC) Important Dimension To Check.
 - * Waterproof Rate: IP67
 - * Housing: Nylon+GF, Black
 - * Female Pin: Copper Alloy, Gold Plated.
 - * Screw Nut: Nylon+GF, Black
 - * Gasket: Silicone, Gray
 - * Use with waterproof cap or dust cap
 - Maximum Panel Thickness: 2.8mm
 - * Use without waterproof cap or dust cap
 - Maximum Panel Thickness: 4.0mm

UNIT: mm		TITLE STANDARD PANEL LOCK M CONN FPIN			ITEM NO	DRAWN BY	DATE
		SCALE 3:2	SIZE A4	SHEET 1 OF 1	ABB-XXPMFS-LC7001	Howard.Z	2015-07-10
TOLERANCE		REV.	WC-REV.	QC: Inspection item	CUSTOMER	APPROVED BY	DATE
.X ±0.25		A	A.1		ALTW	Jerry	2015-07-10
.XX ±0.1							
.XXX ±0.05							
ANGLES ±1°							

Amphenol LTW
 安費諾亮泰企業股份有限公司