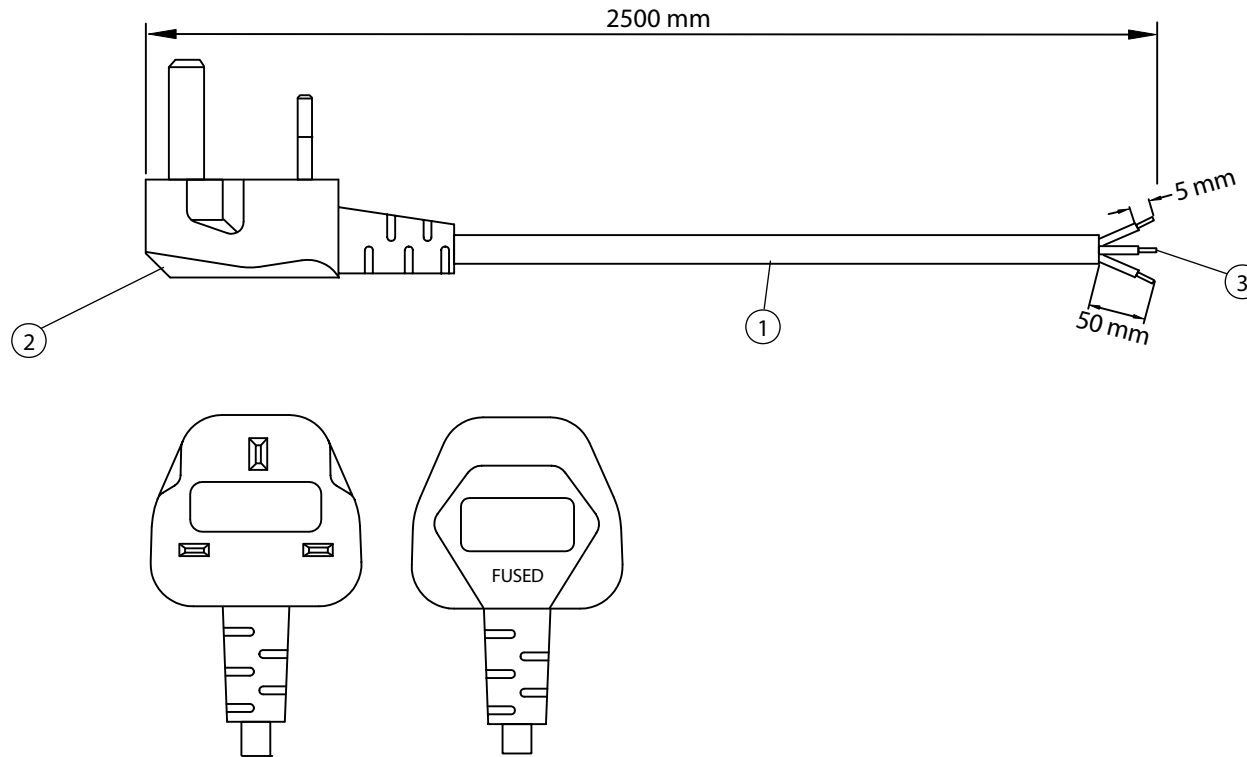


THESE DRAWINGS ARE THE PROPERTY OF QUALTEK ELECTRONICS AND NOT TO BE REPRODUCED FOR OR COMMUNICATED TO A THIRD PARTY WITHOUT THE EXPRESS WRITTEN PERMISSION OF AN OFFICER OF QUALTEK ELECTRONICS.

REVISION			
REV.	DESCRIPTION	DATE	APPROVED
B	RoHS Compliancy	06-01-06	DP
C	Notes Update	05-15-08	DP



**CONTROLLED**

NOTES:

1. CORDAGE: HO5VV-F, 3x1.00mm, UNSHIELDED  
CEE COLOR CODE, TEMP. RATING 70°C  
RATING: 250V 10A, JACKET COLOR: BLACK
2. PLUG END: UNITED KINGDOM BS1363A WITH 13 AMP FUSE
3. OTHER END: ROJ 50mm, STRIP 5mm
4. APPROVALS: UNITED KINGDOM, BSI
5. ROHS COMPLIANT

Dim range (mm)		Tolerance +/- (mm)		<b>Qualtek Electronics Corp.</b> PPC DIVISION		
				Part Number: 369003-E01		RoHS Compliant
0-1		0.15		Description: POWER CORD		
1-6		0.20				
6-18		0.30				
18-50		0.50				
50-120		0.70				
120-250		0.90		Drawn / Date	Checked / Date	Approved / Date
250-500		1.20		K.Huang 09-21-98	09-21-98	JJH / 09-21-98