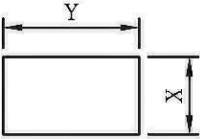
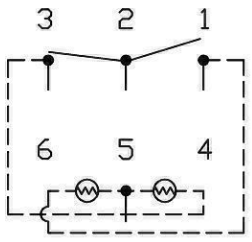
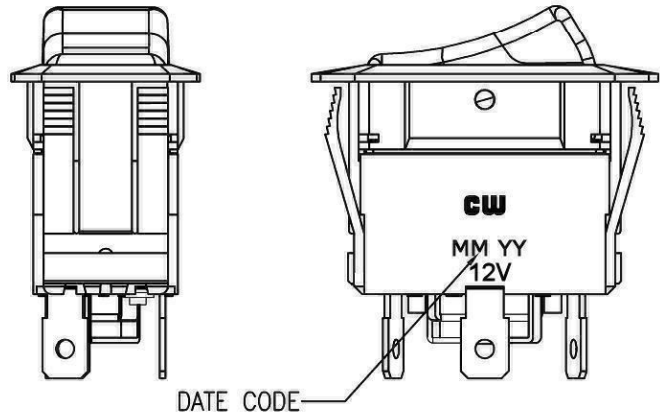
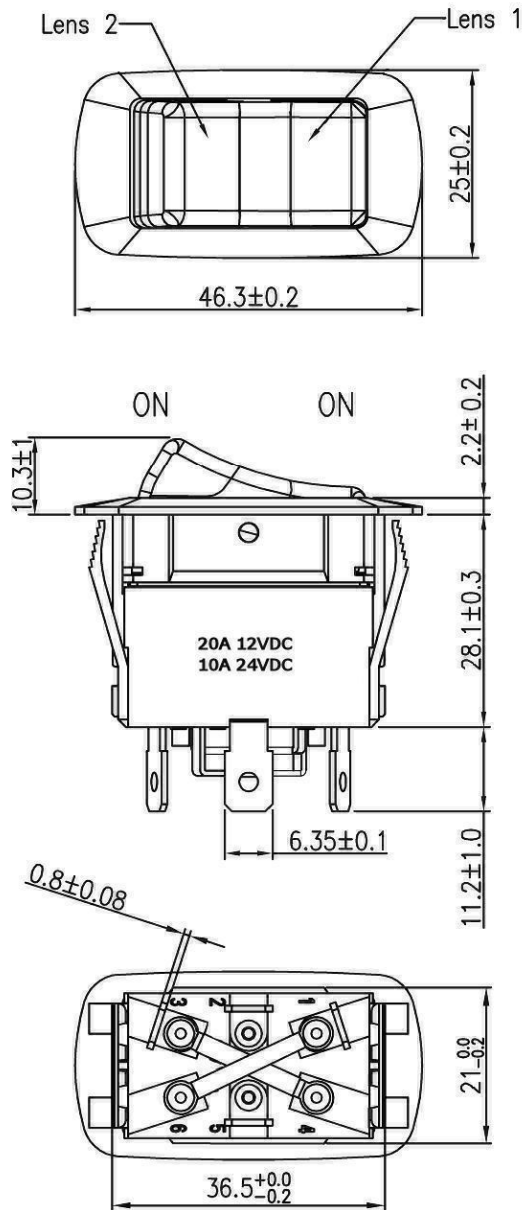


THIS INFORMATION IS CONFIDENTIAL AND PROPRIETARY TO CW INDUSTRIES INCORPORATED AND ITS AFFILIATES. IT MAY NOT BE DISCLOSED TO ANYONE, OTHER THAN CW INDUSTRIES PERSONNEL, WITHOUT WRITTEN AUTHORIZATION FROM CW INDUSTRIES INCORPORATED, SOUTHAMPTON, PENNSYLVANIA USA.

Rating	20A 12VDC 10A 24VDC	Mounting Hole 	Circuit Diagram 	
Configured For	12VDC 14V			
Contact Resistance	50m ohm Max.	Thickness(mm)	X(mm)	Y(mm)
Insulation Resistance	DC 500V 100M ohm Min.	0.75~1.25	21.2±0.1	36.6 ^{+0.2} ₋₀
Dielectric Strength	AC 1500V 1 minute	1.25~2.0		36.8 ^{+0.2} ₋₀
Operation Temperature	-20°~85°	2.0~3.0		37.0 ^{+0.2} ₋₀
Switch Function	4P SPDT ON-ON Lamp Dependent	Lamp Type Bulb 12VDC 14V		

*** MATERIAL:**

- Frame: Nylon#66, Black
- Actuator: Nylon#66 with 33%GF, Black
- Lens 1: PC, Red
- Lens 2: PC, Green
- Water proof and dust proof to fit IP-56



RoHS Compliant

2	Added Dependent to switch function & Lamp Type. 12/09/2011.
1	Removed AC Rating marks and added DC Rating marks. 8/23/10

CW INDUSTRIES
Southampton, Pa. 18966
Tel 215.355.7080/www.cwind.com

Date Drawn: 5/19/10

Rev. 2

Unit: mm

Checked By: *G. Gold*

Title:
ROCKER SWITCH

CW P/N:
GRB260C501BBRG1