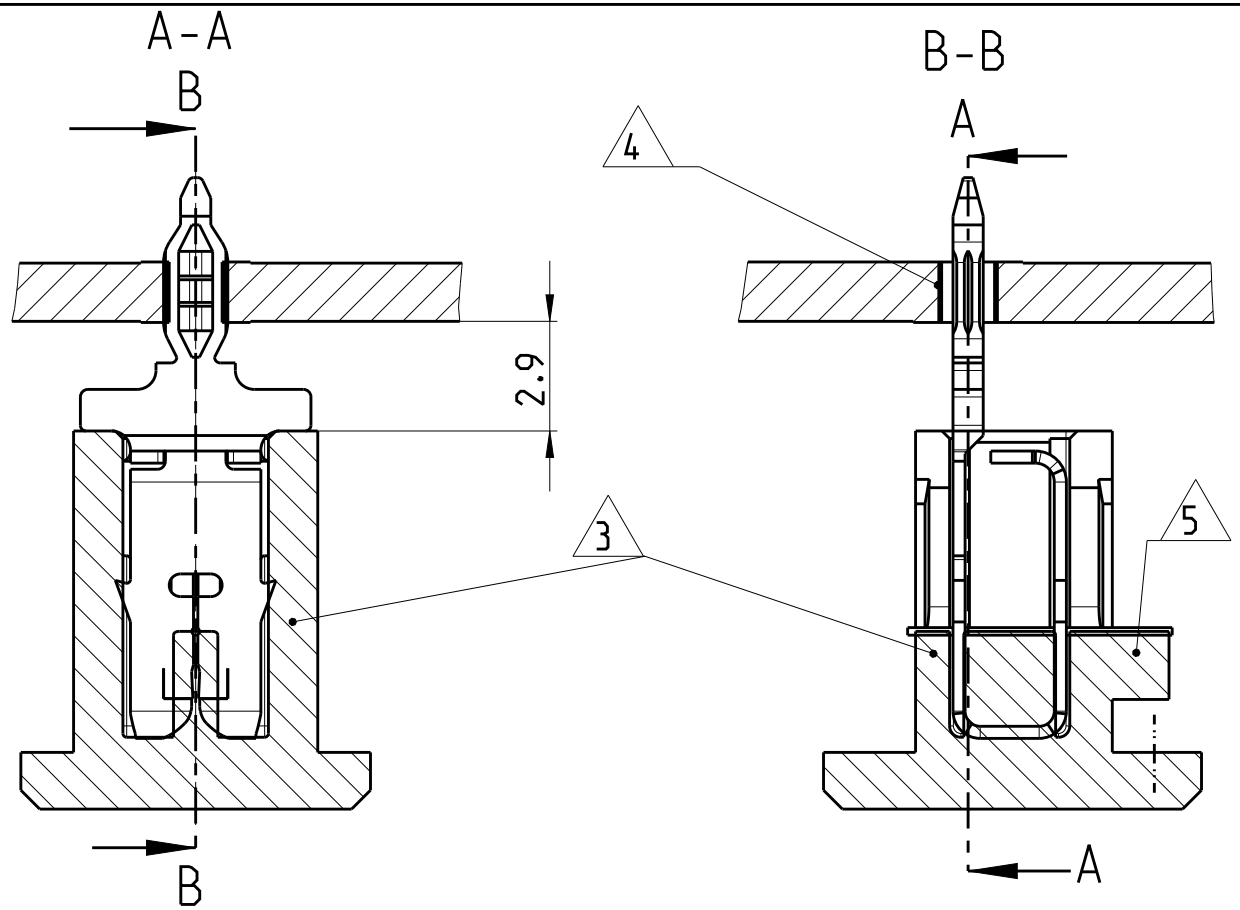
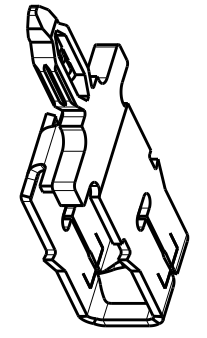


THIS DRAWING IS UNPUBLISHED. RELEASED FOR PUBLICATION 2012
 © COPYRIGHT 2012 Tyco Electronics AMP GmbH ALL RIGHTS RESERVED.

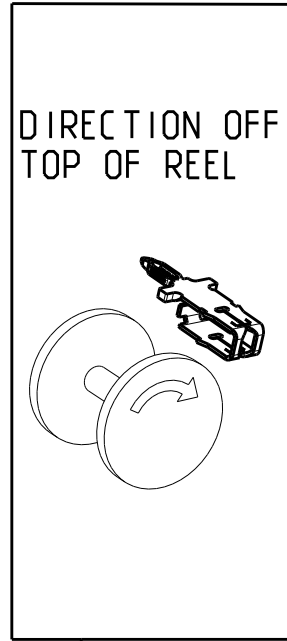
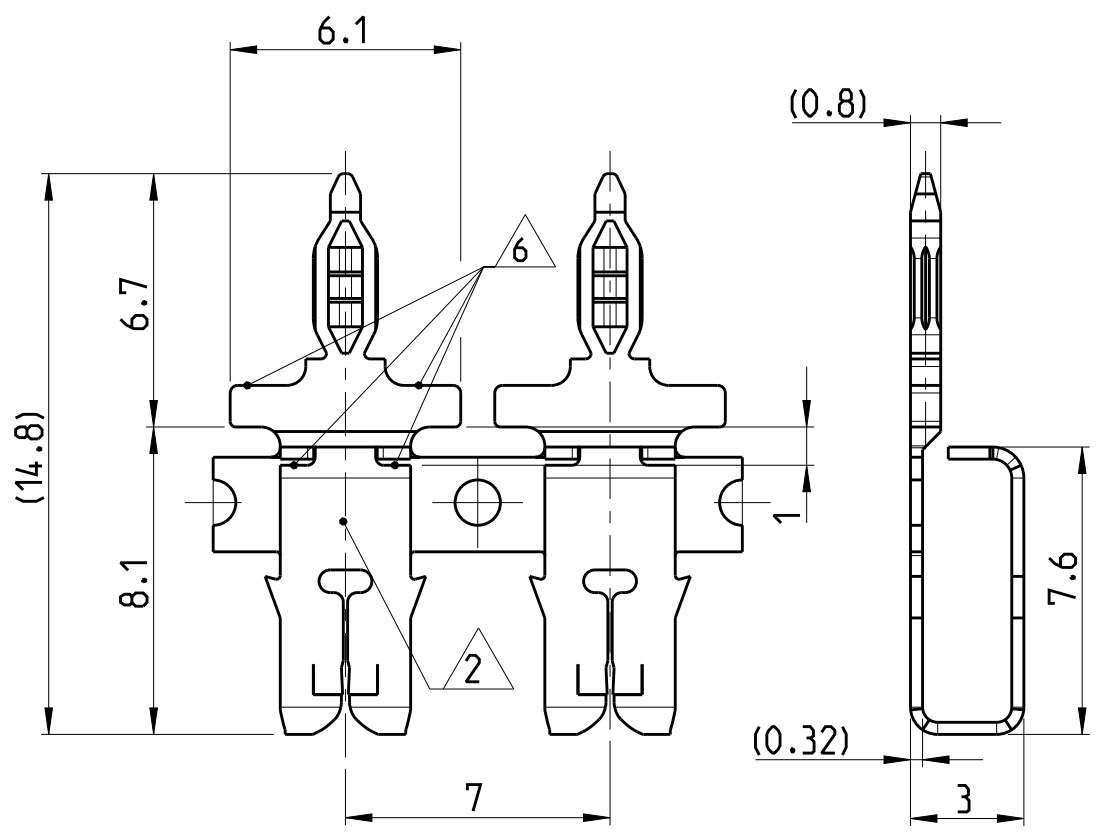
LOC	DIST	REVISIONS			
P	LTR	DESCRIPTION	DATE	DWN	APVD
A1	-	A5	REVISED PER ECO-16-015988	07NOV16	RS KR



- 1 SLOT ACCEPTS SINGLE OR DOUBLE COPPER MAGNET WIRE (SEE TABLE)
- 2 IDENTIFICATION NUMBER FOR MAGNET WIRE RANGE
- 3 CONTACT CAVITY AND APPLICATION ACC. SPECIFICATION 114-74109. (SEE TABLE)
- 4 PCB LAYOUT (HOLES ACC. SPECIFICATION. 108-90801)
- 5 CUTTING LINE: AREA WILL BE CUTTED OFF BY TERMINATION
- 6 AREA FOR INSERTION TOOL
- 7 DELIVERY STATE: STRIP ON CORRUGATED REEL WITH PAPER INTERLAYER
- 8 To Be APPROVED. ON DEMAND BY TE ENGINEERING
- 9 MAX.2 SPLICES PER REEL; SPLICES BE NOT BONDED TOGETHER



10 PRELIMINARY. NOT FOR PRODUCTION



IDENTIFICATION NO	DOUBLE WIRE	SINGLE WIRE	DOUBLE WIRE	SINGLE WIRE	REV.	PART NO
	1 AWG BARE WIRE RANGE	1 AWG BARE WIRE RANGE	1 BARE WIRE RANGE	1 BARE WIRE RANGE		
33	-	16.5-16	-	Ø1.20mm to Ø1.30mm	A	0-2238145-2
24	-	19.5 - 17.5; 17	-	Ø 0.85mm to Ø 1.12mm	A	0-1247004-2
12	-	22.5 - 20; 19.5	-	Ø 0.63mm to Ø 0.85mm	A	0-1247003-2
10	26 - 23	26 - 22.5	Ø 0.4mm to Ø 0.56mm	Ø 0.4mm to Ø 0.63mm	A	0-1247002-2
6	29.5 - 26.5; 26	29.5 - 26.5; 26	Ø 0.265mm to Ø 0.4mm	Ø 0.265mm to Ø 0.4mm	A	0-1247001-2
4	33 - 30; 29.5	33 - 30; 29.5	Ø 0.18mm to Ø 0.265mm	Ø 0.18mm to Ø 0.265mm	A	0-1247000-2

THIS DRAWING IS A CONTROLLED DOCUMENT.		DWN H. Ballmert 04 JUN 2012
DIMENSIONS: mm		CHK B. Schnaubelt 04 JUN 2012
TOLERANCES UNLESS OTHERWISE SPECIFIED:		APVD T. Klenner 04 JUN 2012
0 PLC ±	} 0.2	PRODUCT SPEC 108-74116
1 PLC ±		APPLICATION SPEC 114-74109
2 PLC ±		WEIGHT 0.25g/prt
3 PLC ±		
4 PLC ±		
ANGLES ±1°		
MATERIAL COPPER ALLOY	FINISH POSTTINNED	

		NAME		RESTRICTED TO
		MAG-MATE 300 SERIES WITH MULTISPRING		
SIZE	CAGE CODE	DRAWING NO		
A3	00779	C-1247000		
CUSTOMER DRAWING		SCALE 5:1	SHEET 1 OF 1	REV A5