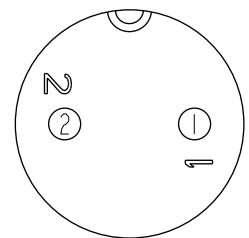
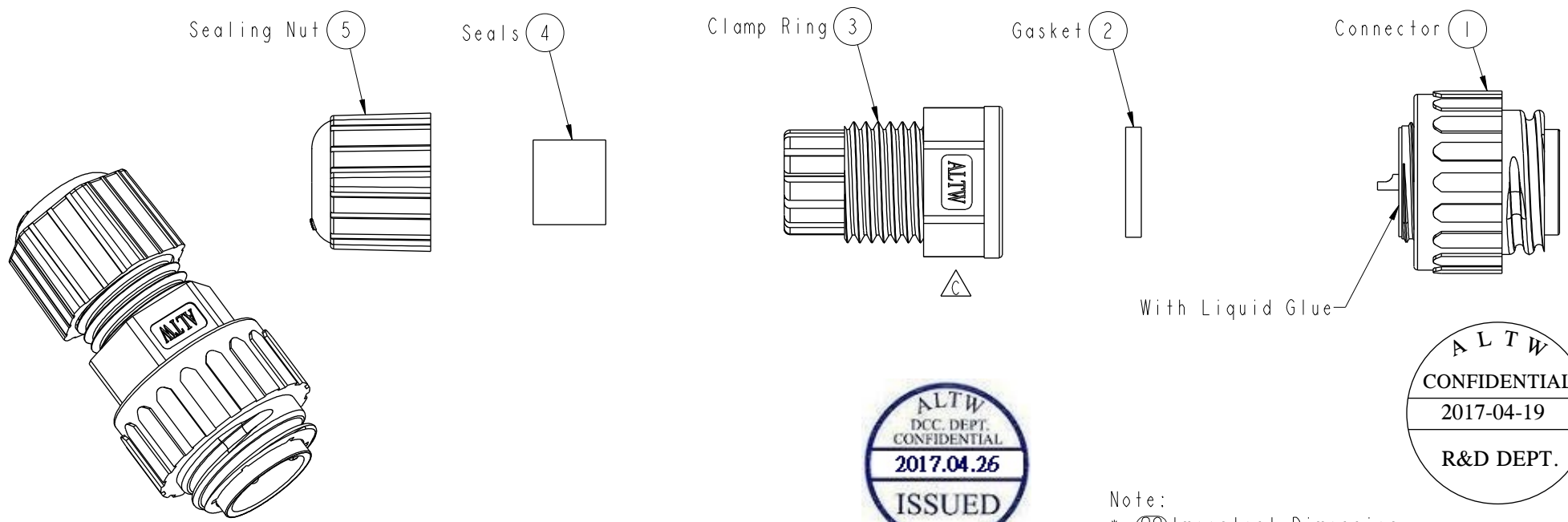
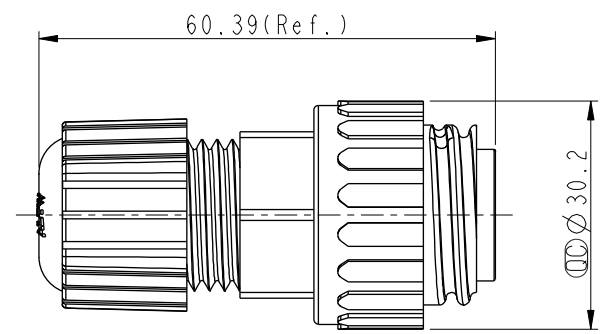


THIS DOCUMENT IS SUBJECT TO CHANGE WITHOUT NOTICE. IT IS CONFIDENTIAL AND A PROPERTY OF Amphenol LTW. DISCLOSURE TO THIRD PARTY HAS TO BE AUTHORIZED BY Amphenol LTW.

REV.	ECN NO.	DATE	SIGN	DESCRIPTION
B	LEN-870142	2008/07/24	Yuri	Update Drawing
C	LEN1741293	2017/04/19	Vicky	Update Logo



Pin Assignments
Front View



- Note:
- * \varnothing Important Dimension
 - * Waterproof Rate: IP67
 - * Seals for Cable OD: $\varnothing 5.5\text{mm} \sim \varnothing 10.8\text{mm}$
(防水墊圈限用線徑: $\varnothing 5.5\text{mm} \sim \varnothing 10.8\text{mm}$)
 - * One Set Unassembled in One LTW Sealed Bag
(每一組未組裝, 放置於一個 Amphenol LTW 封口袋)
 - * Housing: Nylon+GF, Black
 - * Male Pin: Copper Alloy, Gold Plated
 - * Screw Nut: Nylon+GF, Black
 - * $\triangle B$ Gasket: Silicone, Black
 - * Clamp Ring: Nylon, Black
 - * Seals: EPDM, Black
 - * Sealing Nut: Nylon, Black
 - * Liquid Glue :Claer

UNIT:mm		TITLE		ITEM NO		DRAWN BY		DATE	
		Power, Assy Screw 2Pin M Conn M Pin		PWF-02BMMA-SL7001		Vicky		2017-04-19	
TOLERANCE		SCALE	SIZE	SHEET	DWG NO	CHECKED BY	DATE		
.X	± 0.25	1:1	A4	1 OF 1	PWF-02BMMA-SL7001	Rita	2017-04-19		
.XX	± 0.1	REV.	WC-REV.		CUSTOMER	APPROVED BY	DATE		
.XXX	± 0.05	C	A.3	\varnothing : Inspection item	ALTW	Max	2017-04-19		
ANGLES	$\pm 1^\circ$								

Amphenol LTW
安費諾亮泰企業股份有限公司